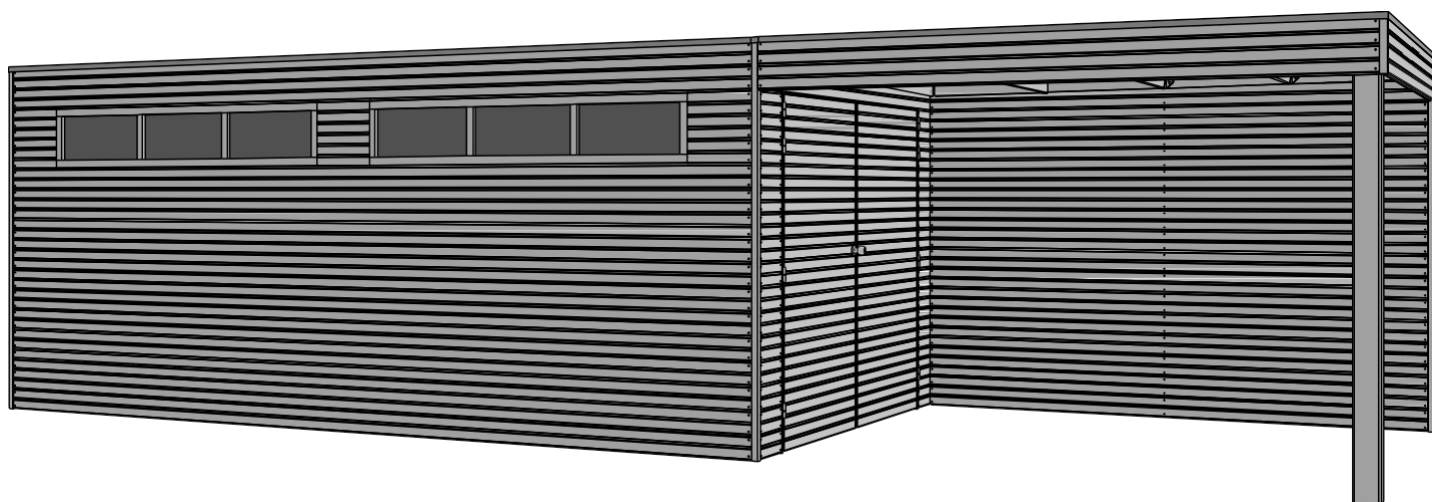
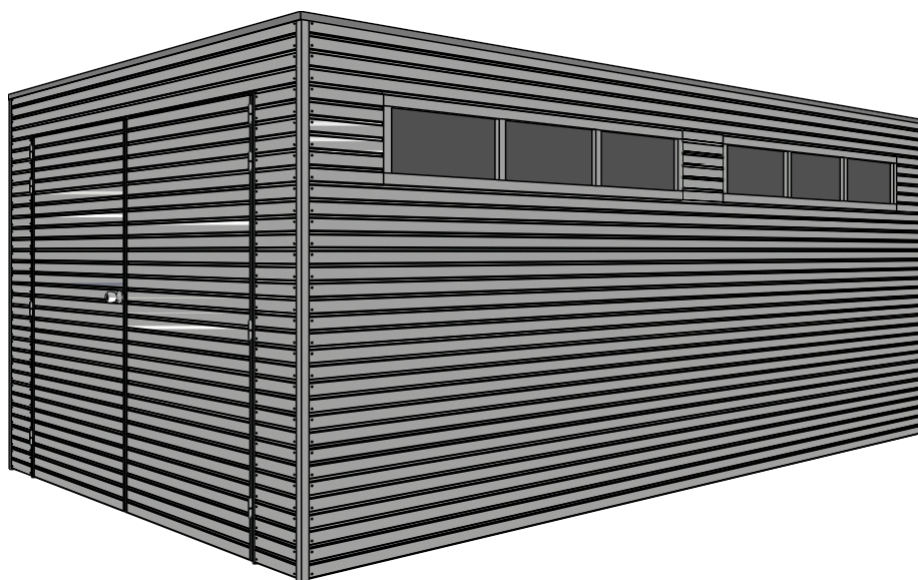


ASSEMBLY INSTRUCTIONS FOR GARAGE QBH



WOODLANDS

QUALITY CABINS



ASSEMBLY INSTRUCTIONS GARQBH

Congratulations on the purchase of your garage.

If you read the assembly instructions carefully, you will enjoy your purchase for many years to come.

Tips and advice

Before you start assembly, we would like to give you some important information that deserves your attention.

**A
I**

TREATMENT Have you purchased a garage made from untreated natural product? This type of wood still needs to be treated to ensure a long lifespan. It is best to seek guidance from a specialist in the field when choosing your treatment product and for the maintenance of your garage. Use only products that penetrate the wood and protect it against moisture, wind and weather, as well as against insects and fungi. Do not use products that are so viscous that they prevent a good fit between tongue and groove and at the corner joints. You only have the opportunity to treat the tongue and groove **before** assembly. It is very important **to treat** all parts **on all sides**. You must therefore also treat **the inside of** the garage.

**A
2**

TREATMENT Have you purchased a garage that has been pressure-impregnated? Gardenas wax impregnation significantly extends the lifespan of your product and provides **temporary** protection against moisture. After the first summer season, you will need to apply an extra protective layer of stain or other paint. This will prevent the wood from splitting and warping. It is best to seek advice from a specialist when choosing your treatment product and for the maintenance of your garage. Use only products that penetrate the wood and protect it against moisture. Pressure impregnation itself protects the garage against rot, mould and insects. The treatment product therefore only needs to be water-repellent and suitable for outdoor use (= UV-resistant).

B

FOUNDATION It is advisable to install a waterproof concrete base. It is of the utmost importance that your garage is level and remains so. Bear in mind that if your structure is not kept properly level after installation, this may result in gaps and deformations in the garage. Ensure that ground moisture and other moisture cannot penetrate the wood by providing adequate ventilation in the garage and treating **the interior of** the garage against moisture. Seal the joint between the garage and its base with silicone (not supplied). Anchor all walls to the base (e.g. using L-brackets, not supplied) to protect against stormy weather.

C

UNPACKING Unpack the parts of your garage from the packaging two days before assembly, but keep them sheltered from the rain. This allows the wood to acclimatise to the humidity. Now carry out a full check using the enclosed parts list. Complaints regarding materials will not be accepted if the parts have been painted. Complaints must reach us no later than 8 days after delivery.

D

Wood is a natural product. This means that slight variations may occur. What are **acceptable** variations?

- Knots,
- Fallen knots no larger than a thumb,
- Fallen knots or slight damage to the edges (tongue and groove) provided that coverage is guaranteed during assembly
- Discolouration in the wood,
- Straight cracks that do not split the plank, splitting cracks no longer than 12 cm,
- Resin pockets of up to 5 cm,
- Wood that is slightly bowed, if assembly remains possible.

E

Make sure to **anchor** your garage to its base (e.g. using L-brackets, not included).

F

To prevent splitting, we recommend pre-drilling with a drill bit whose diameter is smaller than that of the screw.

G

Has a part of the structure been damaged, or are you having trouble figuring it out?

Our after-sales service is at your disposal:

- during office hours by telephone: +32 (0)52 21 95 71
- by fax: +32 (0)52 22 09 03 or
- by email dnv@gardenas.be
- If you notice any damage to the parcel, please let us know within 48 hours.

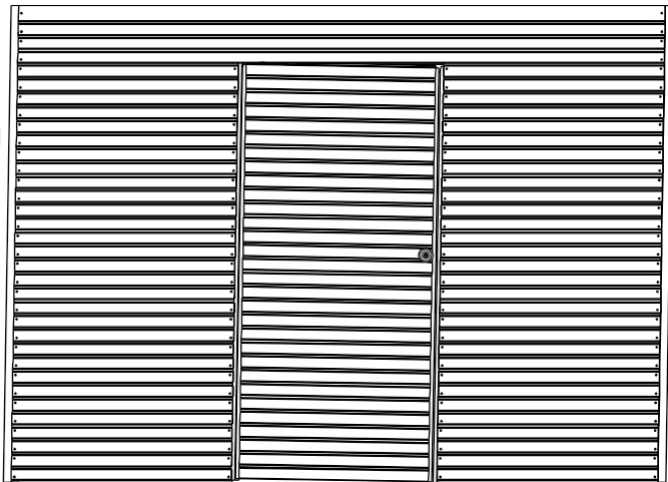
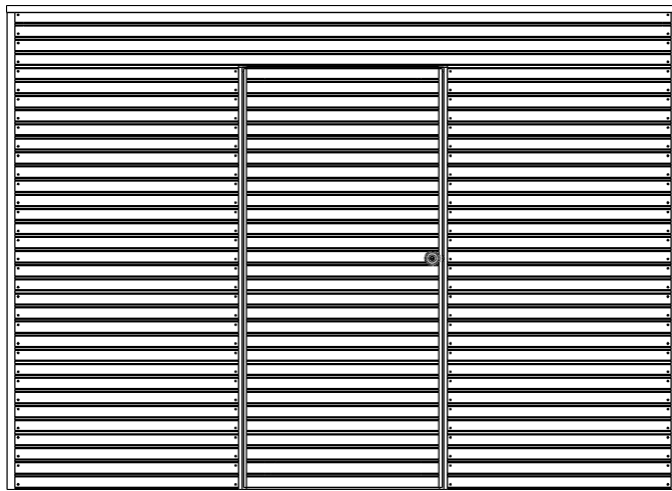
CONCEPT



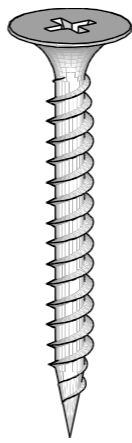
ATTENTION! The planks are glued to the corner profiles using the supplied wood glue. Gluing is essential to ensure the garden shed remains square. Assembly without glue will void the warranty. As long as the glue is not dry, you can still make small adjustments; not afterwards! So make sure you build the walls perfectly plumb from the start!



You will also need clear silicone in the corners (not included).



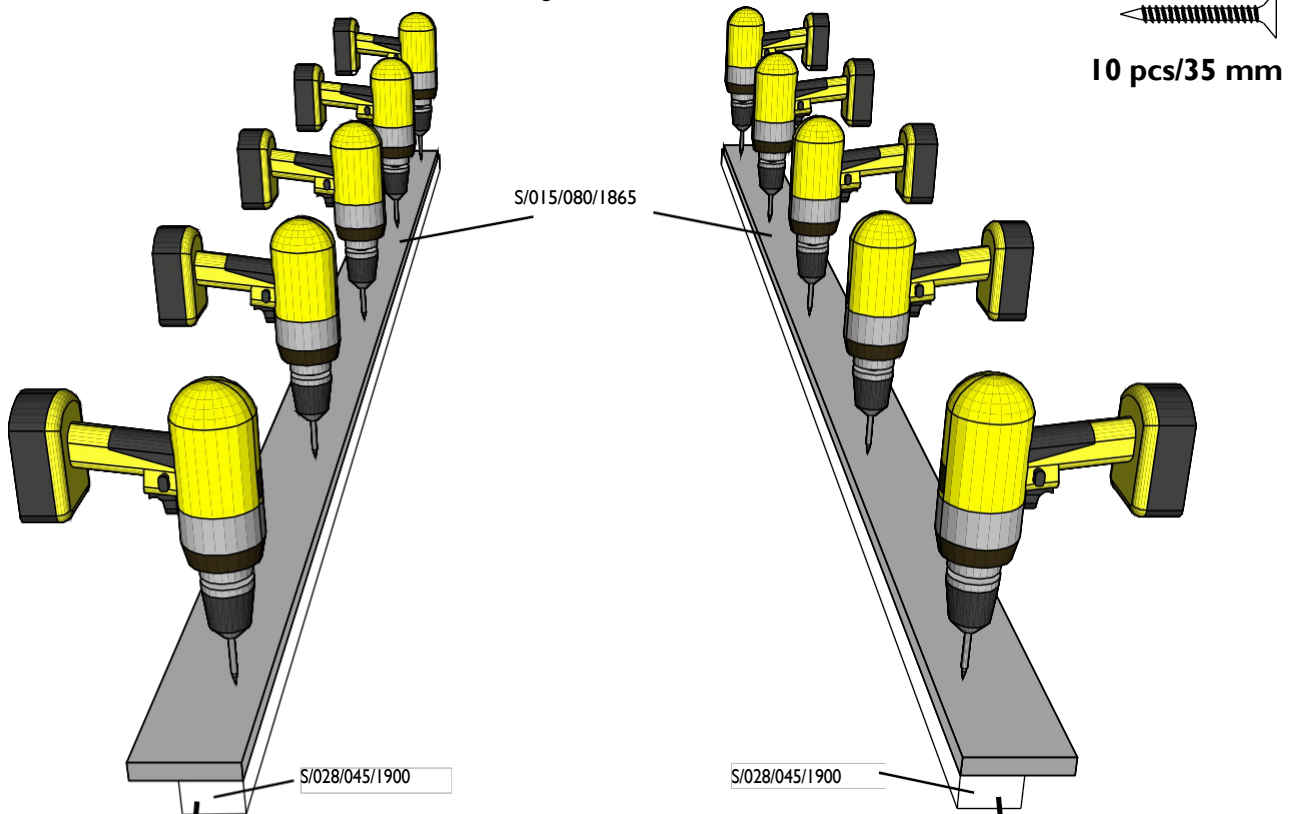
Once you have checked the parts against the accompanying parts list, you can start assembling. What do you need? A saw, a try-square, a spirit level, a piece of auxiliary wood, a drill, 2 ladders, a rubber mallet, a drill bit, silicone, plugs suitable for your ground and a thumbtack. At least 2 adults are required for the assembly. Keep children and pets away during assembly.



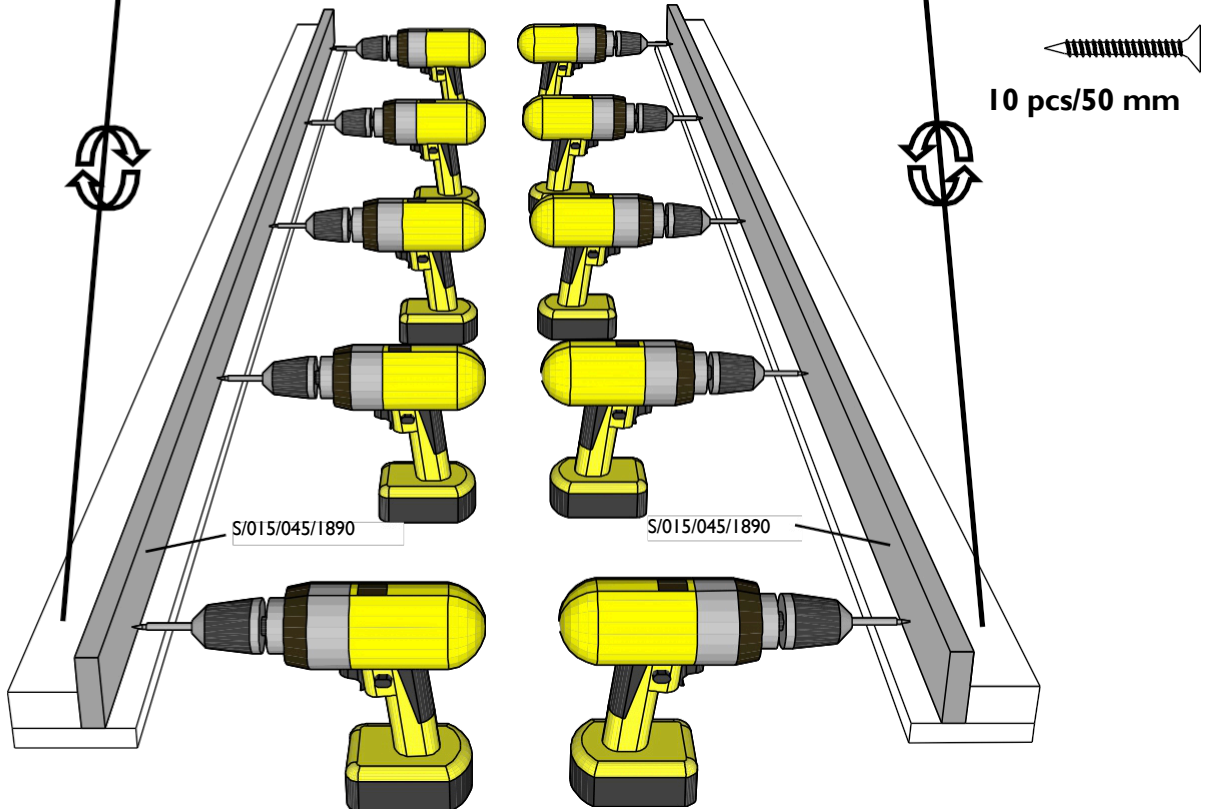
Screw = Pre-drill! To prevent the wood from splitting when screwing, you should always pre-drill using a drill bit with a diameter equal to the diameter of the screw core.

Ia.

Assembling the door frame



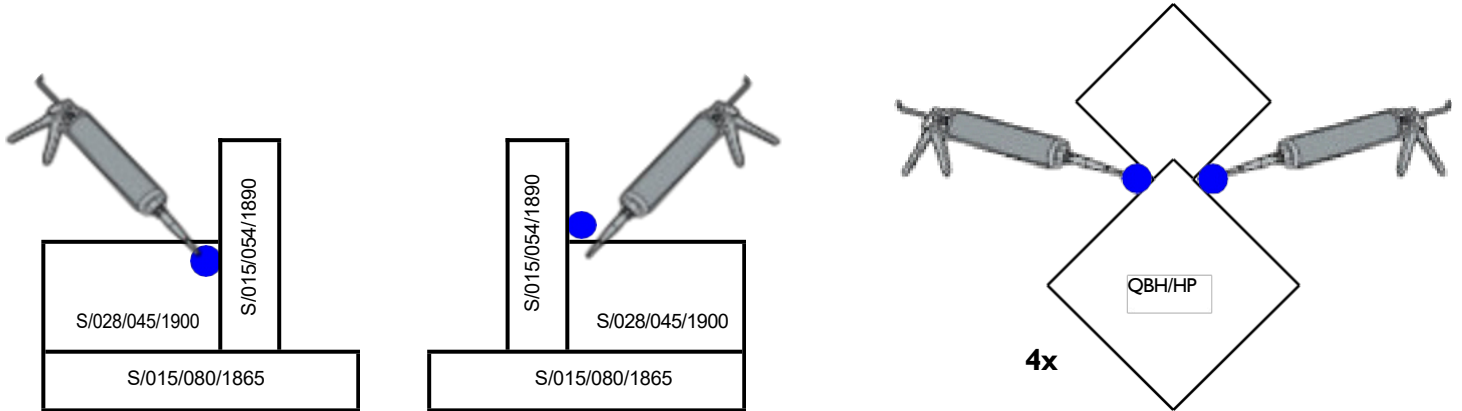
Ib.



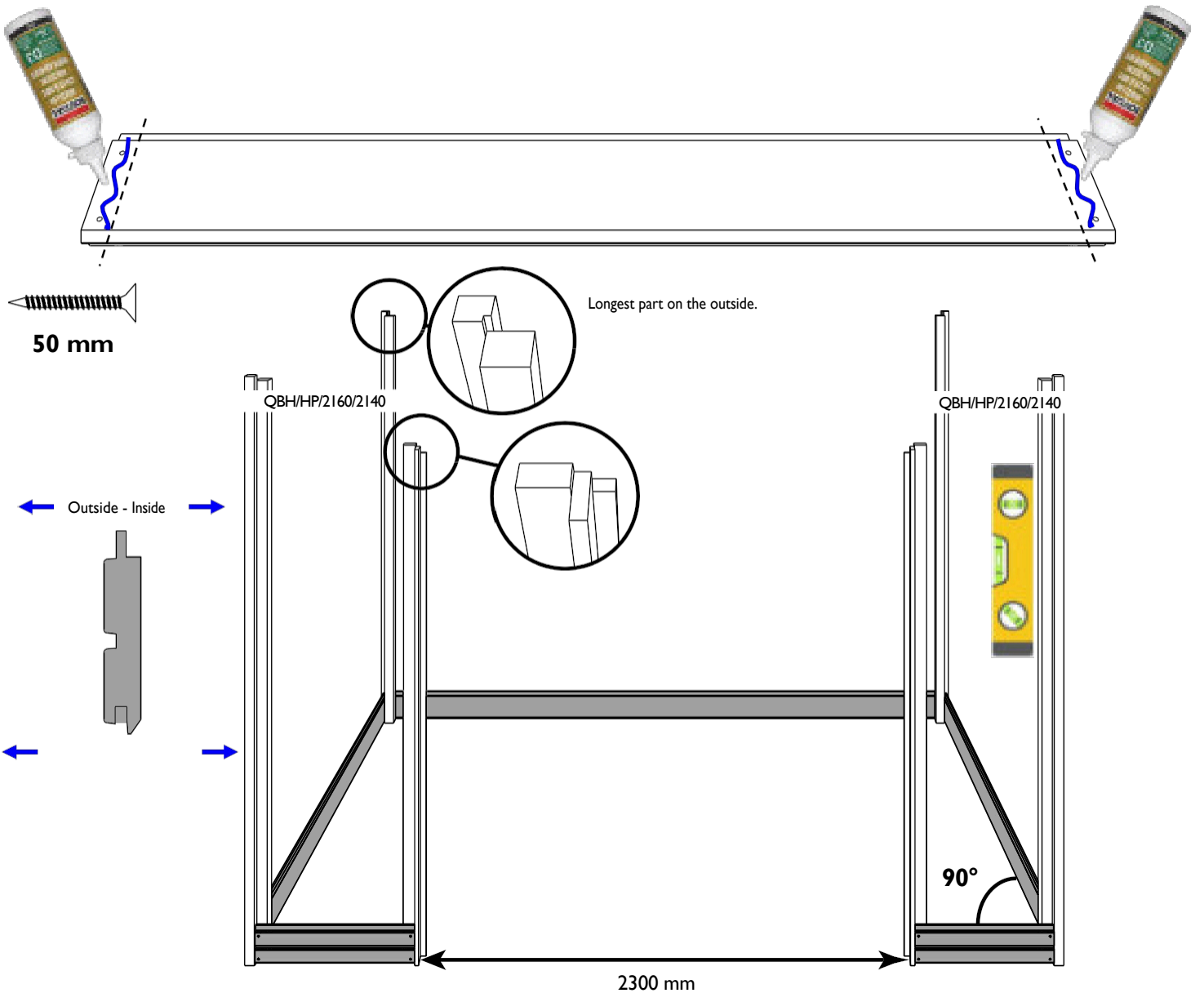
2.

First layer of planks

Apply a bead of silicone over a length of 20 cm to the lower part of the corner profiles and the assembled door frame from step 1.



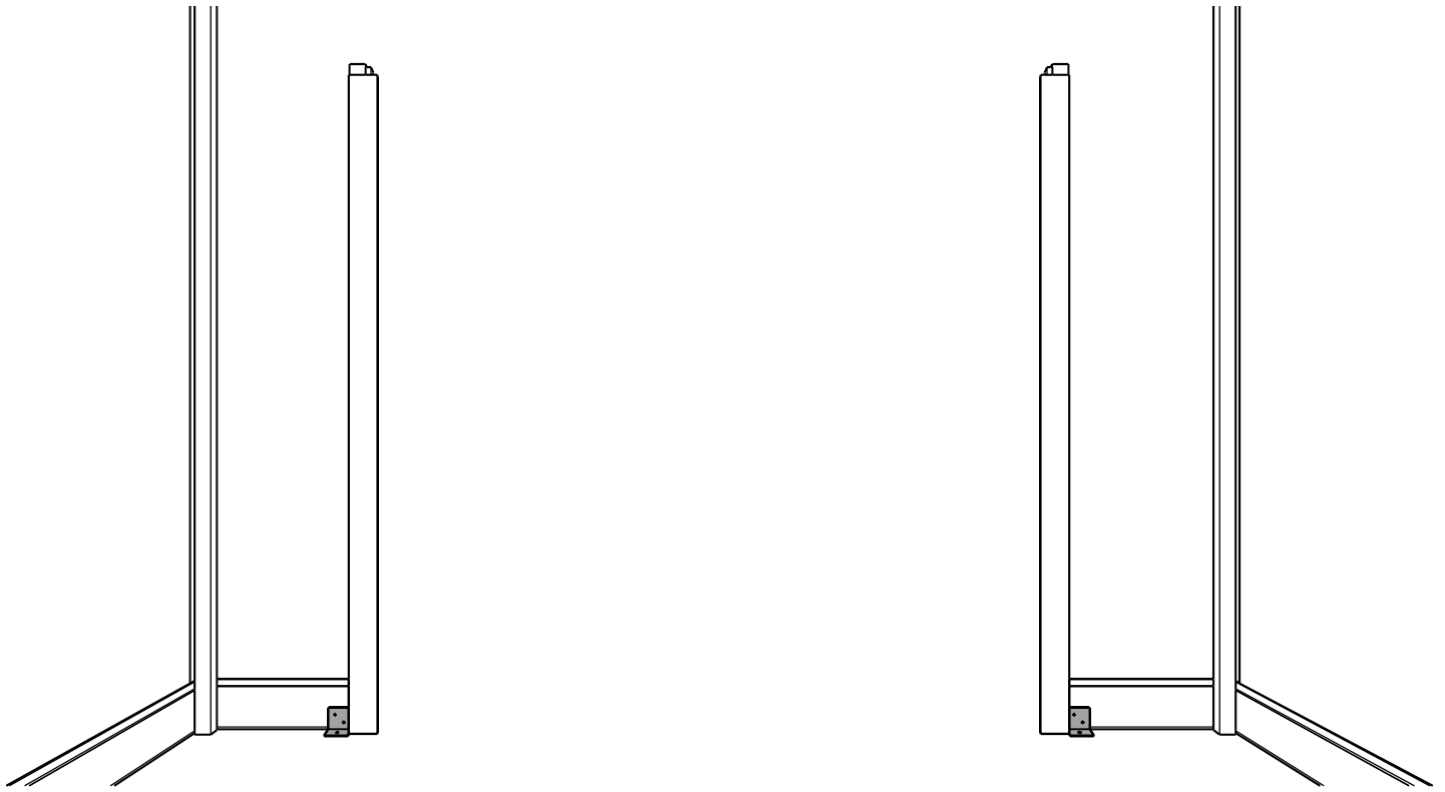
Refer to the diagrams and the references in the parts list to determine which planks you need for the base layer. Apply a bead of glue to the ends of each plank and screw the plank through the pre-drilled holes in the corner profile / door frame. Ensure everything is square. **Attention!** On the corner profiles, the 'smaller' beam is on the outside of the structure.



3.

Anchoring to the ground

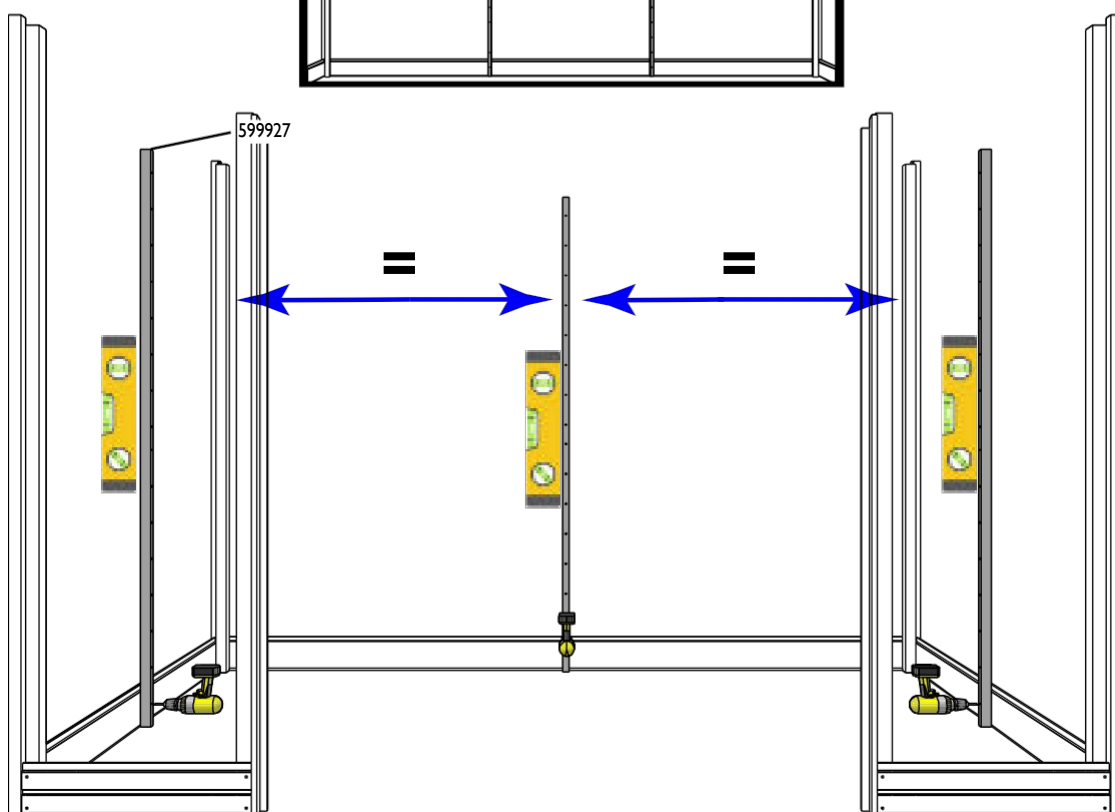
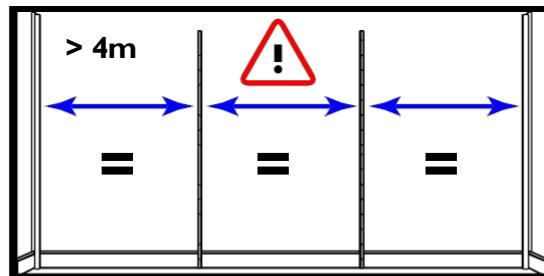
Secure a 60x60x40 angle bracket to the left and right of the door opening. Anchor to the ground (plugs not included). Also ensure suitable ground anchoring for the other walls (not included).



4.

Securing the centre brace

Side wall.



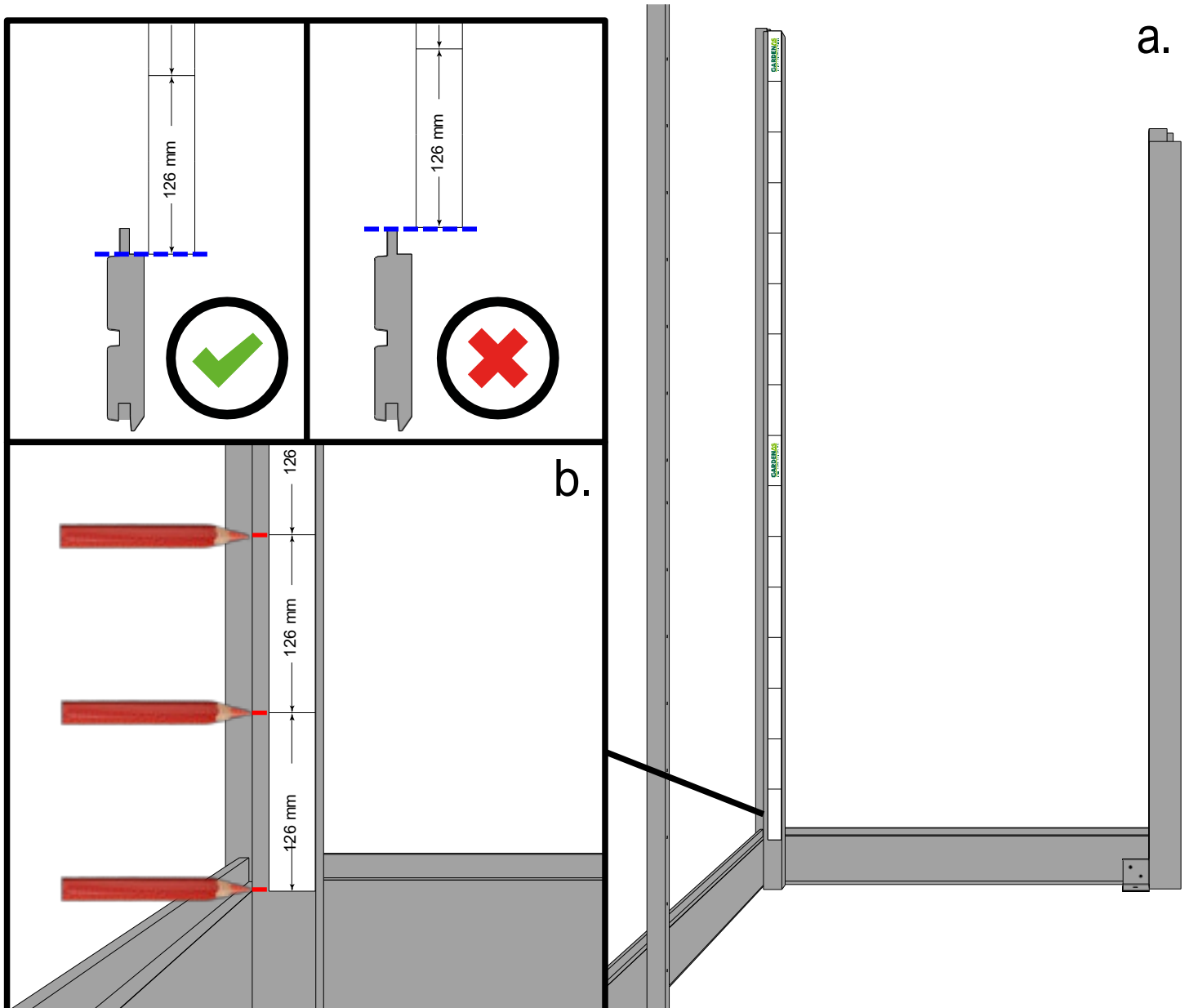


ATTENTION! This step is crucial in the assembly of your garage!
If you do not do this, the planks cannot 'move' and the walls may warp due fluctuating humidity.
Furthermore, the openings for the door and window will not fit and the overall height will be incorrect.

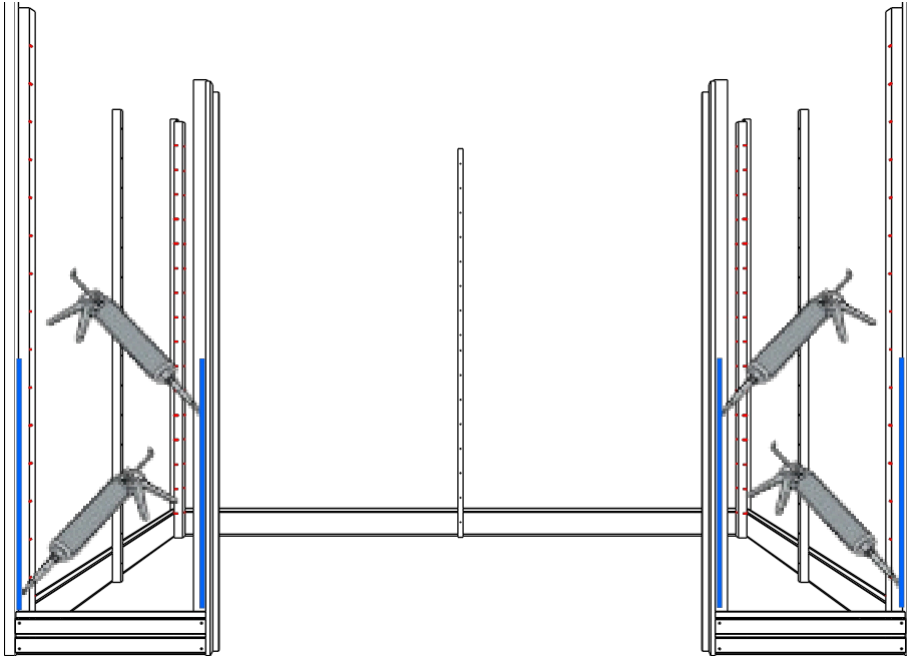


5. Marking lines

- a. Secure (e.g. with a thumbtack) a measuring tape to the side of a corner post, with the bottom end flush with the flat side of already placed plank. Attach a second tape above the first one.
 - b. Mark every 126 mm on the corner profile.
- Repeat on the other side of the profile and on every other corner profile and on the door frame.



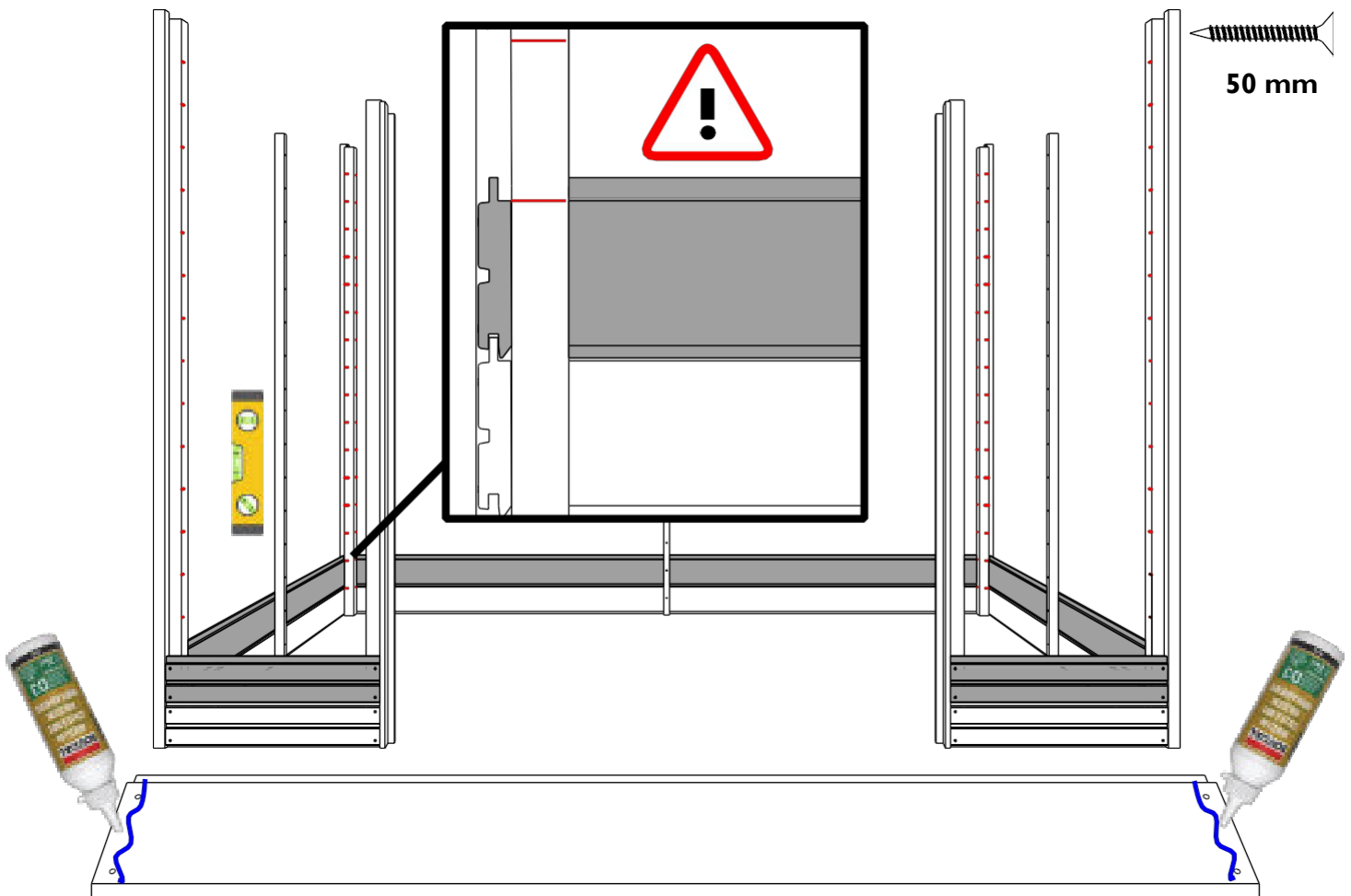
6. **Applying silicone**
Apply another bead of silicone to the corner profiles and door frame. Repeat on the other walls.
Work with short strips of silicone based on your building progress.



7. **Securing the second layer of planks**

Secure a second layer of planks to the profiles. Apply glue to the ends first!

Attention! The planks do not fully support each other! The flat side at the top of the plank must align with the mark you made earlier in step 5. Also secure them to the centre braces. Check that they are plumb.

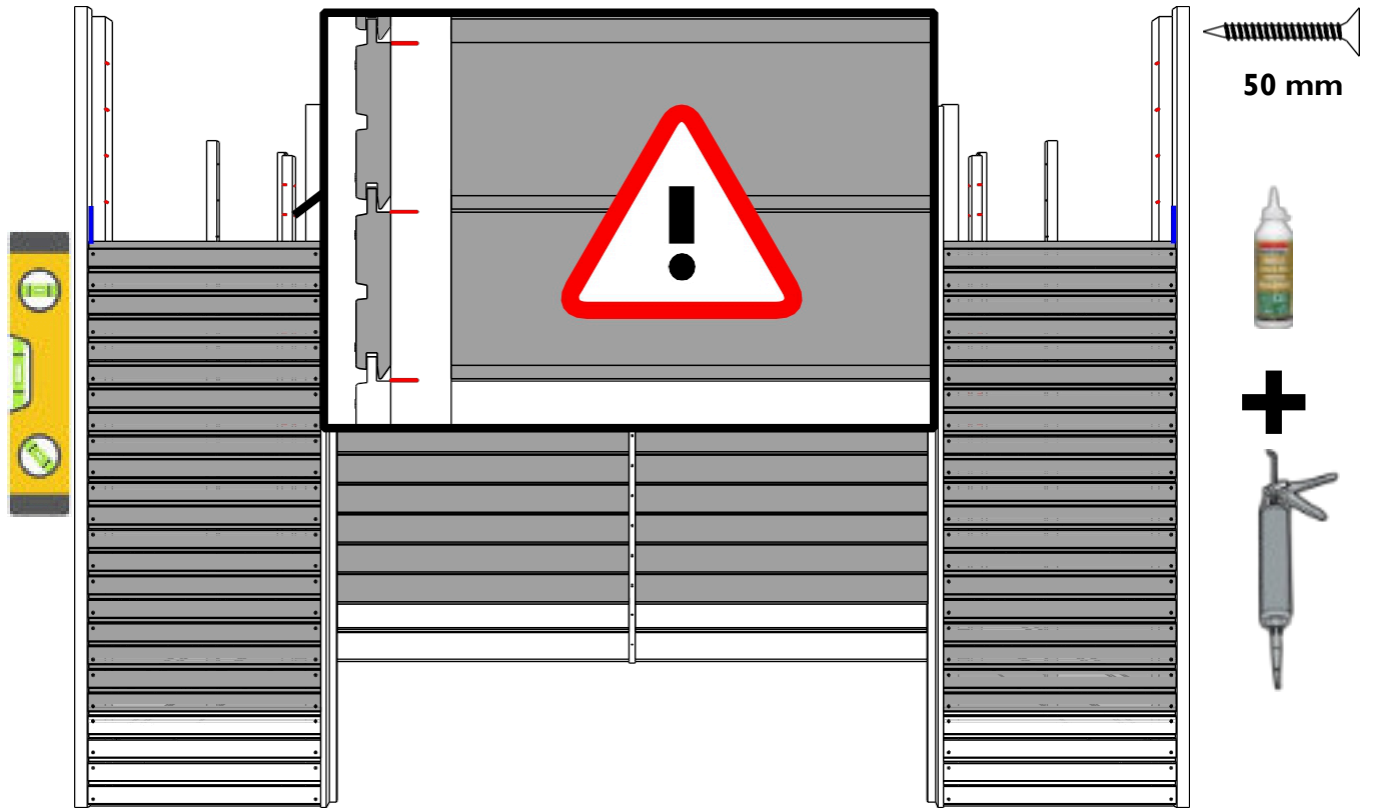


8. Securing the plank up to the window

Secure the planks to the profiles layer by layer, all the way round, until you have 12 layers.

Attention! The flat side at the top of the planks must always align with the mark.

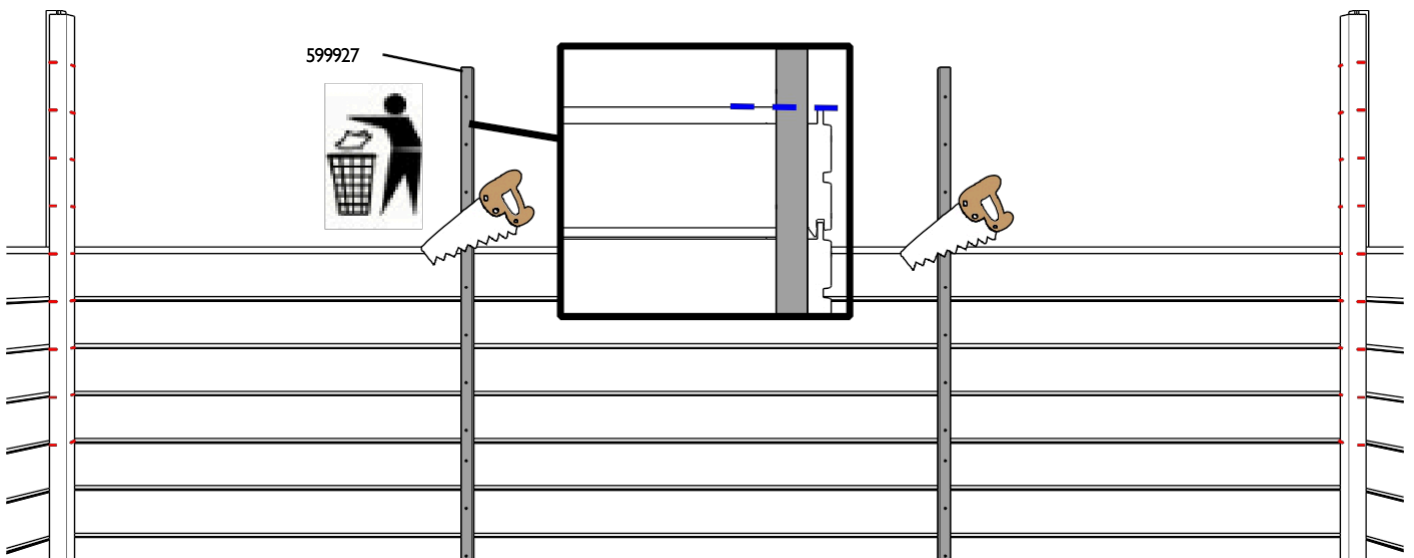
Check regularly that the walls and the centre braces are plumb.



9. Mounting the windows, part I

You can choose which side wall to place the windows in.

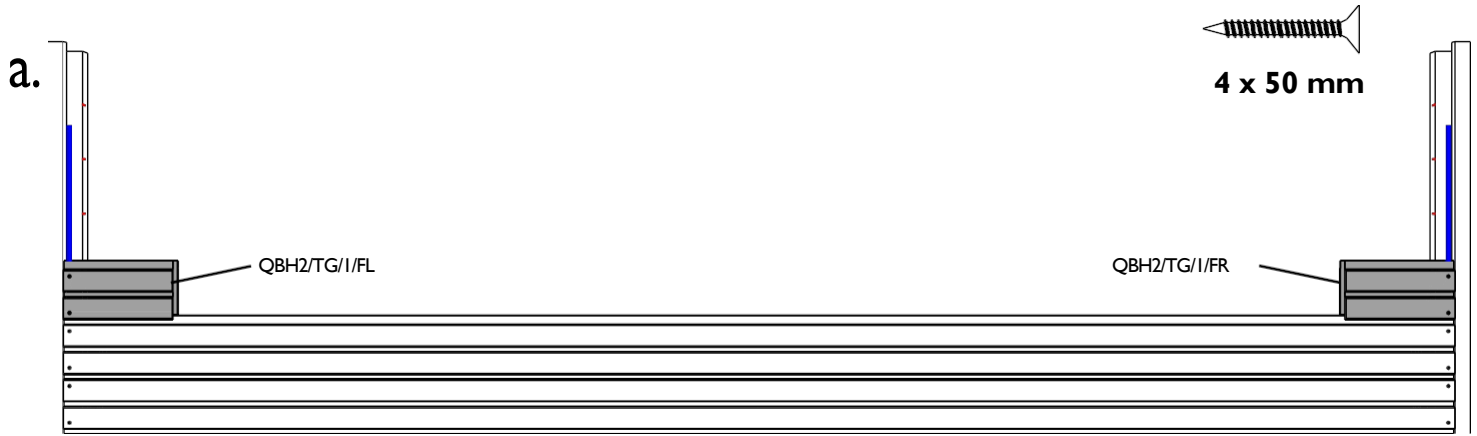
Saw off the 599927 battens flush with the tongue of the top plank, but only in the wall where you are placing the windows.



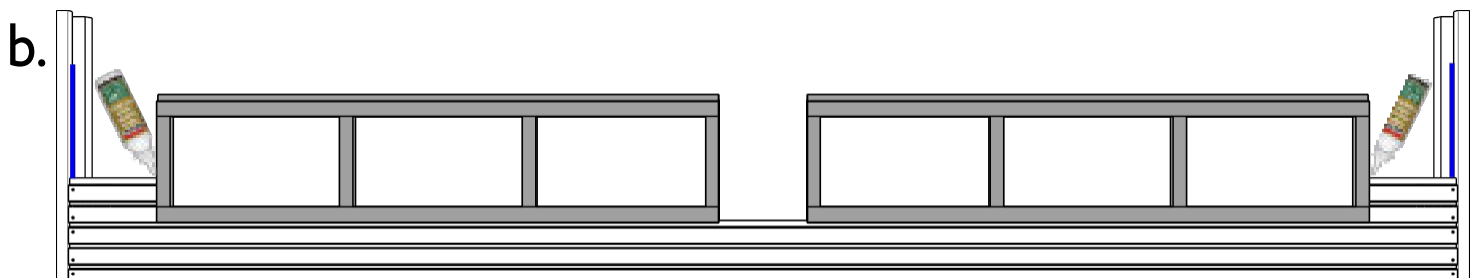
10.

Mounting the windows, part 2

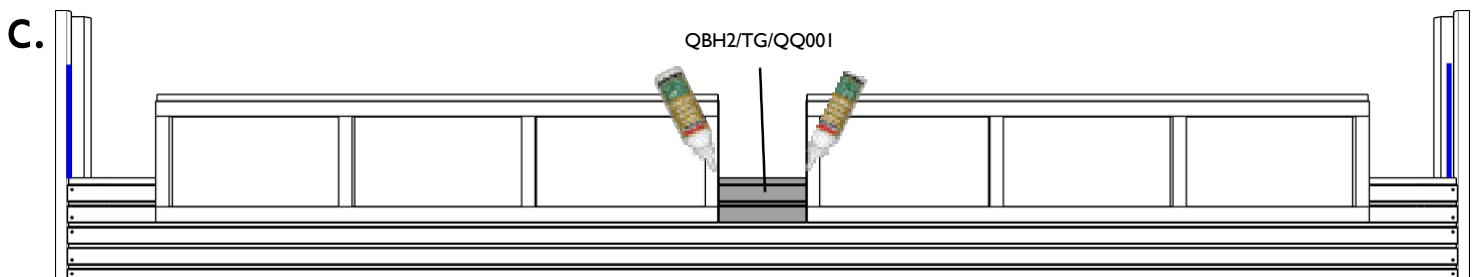
Place 1 piece QBH2/TG/1/FL on the left and 1 piece QBH2/TG/1/FR on the right.



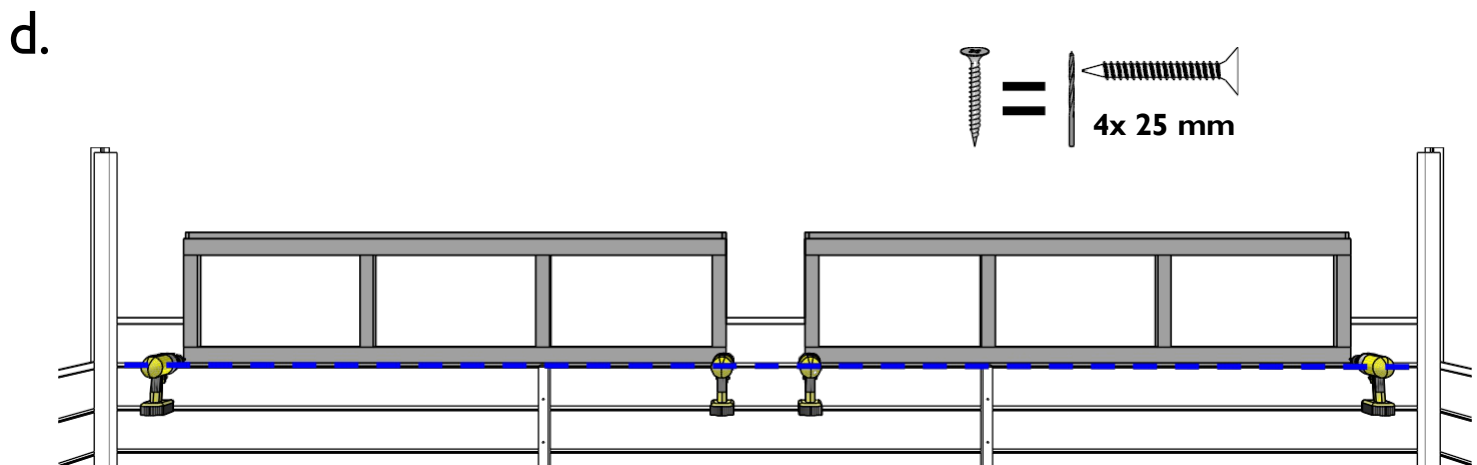
Apply glue to the vertical groove of the windows and place the windows in the opening between the two short pieces.



Place a QBH2/TG/QQ001 plank between the two windows, distributing any joints symmetrically between the components.



Secure the window from the inside by fitting the groove onto the tongue of the small pieces. Make sure the bottom edge of the window aligns neatly with the line of the small pieces. Don't forget to pre-drill the holes!

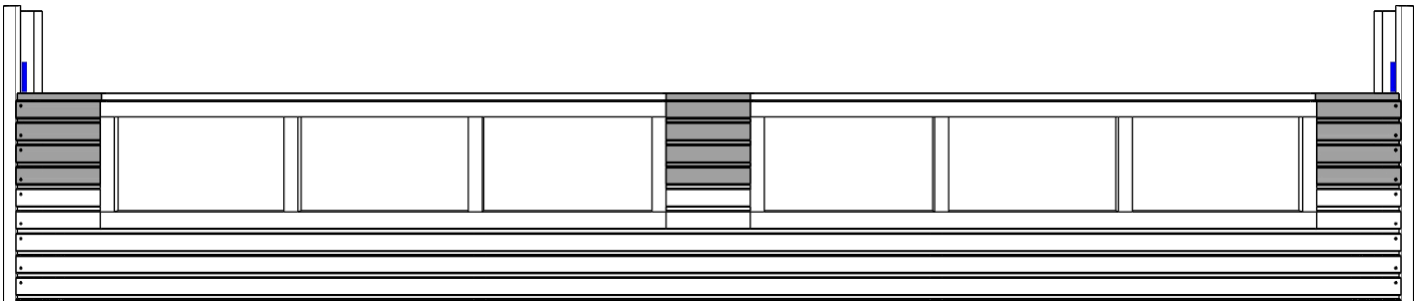


Place the remaining small pieces on the left and right.



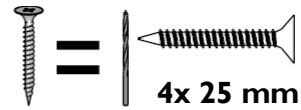
8 x 50 mm

e.

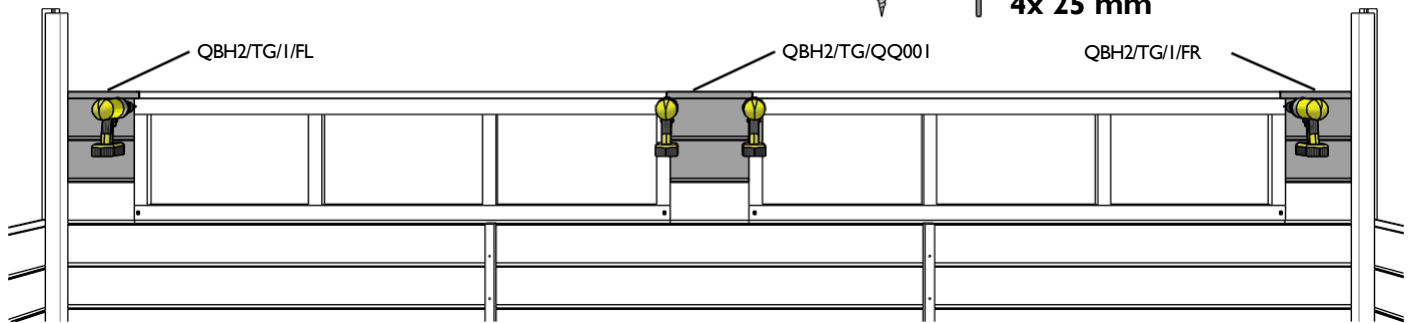


Secure the window from the inside by inserting the groove onto the tongue of the top small pieces. Don't forget to pre-drill!

f.



4 x 25 mm

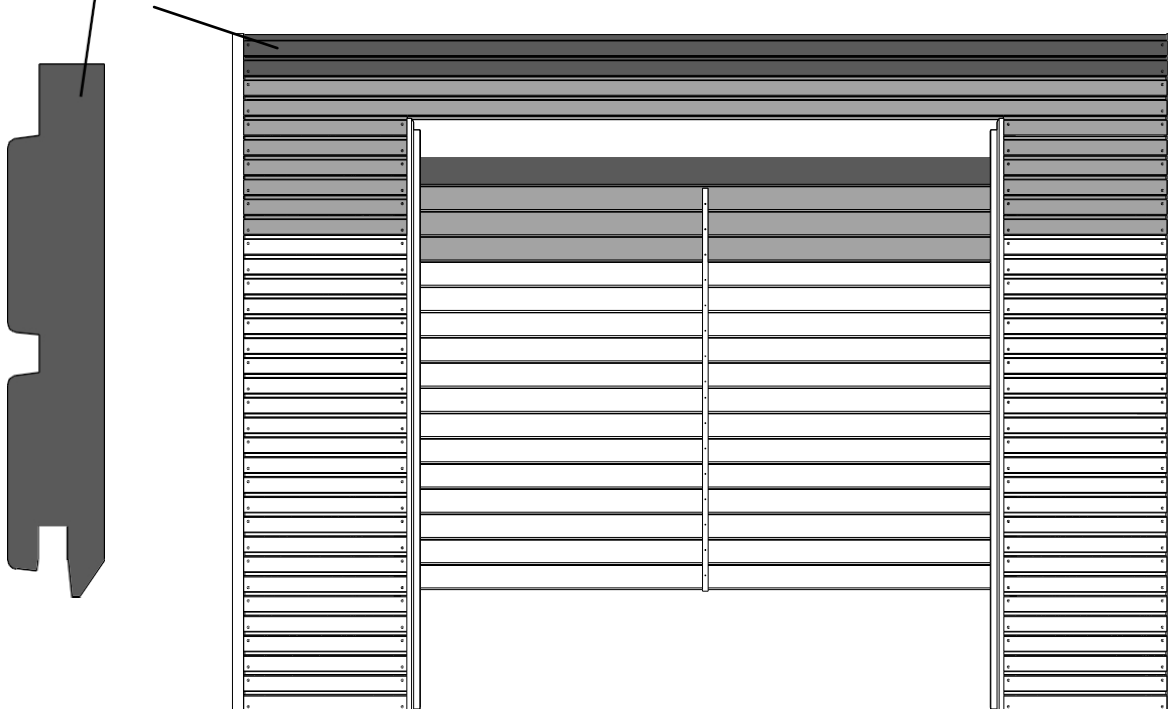


II.

Remaining planks

Secure the remaining planks. The top layer consists of QBH2/PLK planks, which have a thick tongue.

QBH2/PLK



8 x 50 mm





Mounting the extension. You can mount it on either the front or the rear.

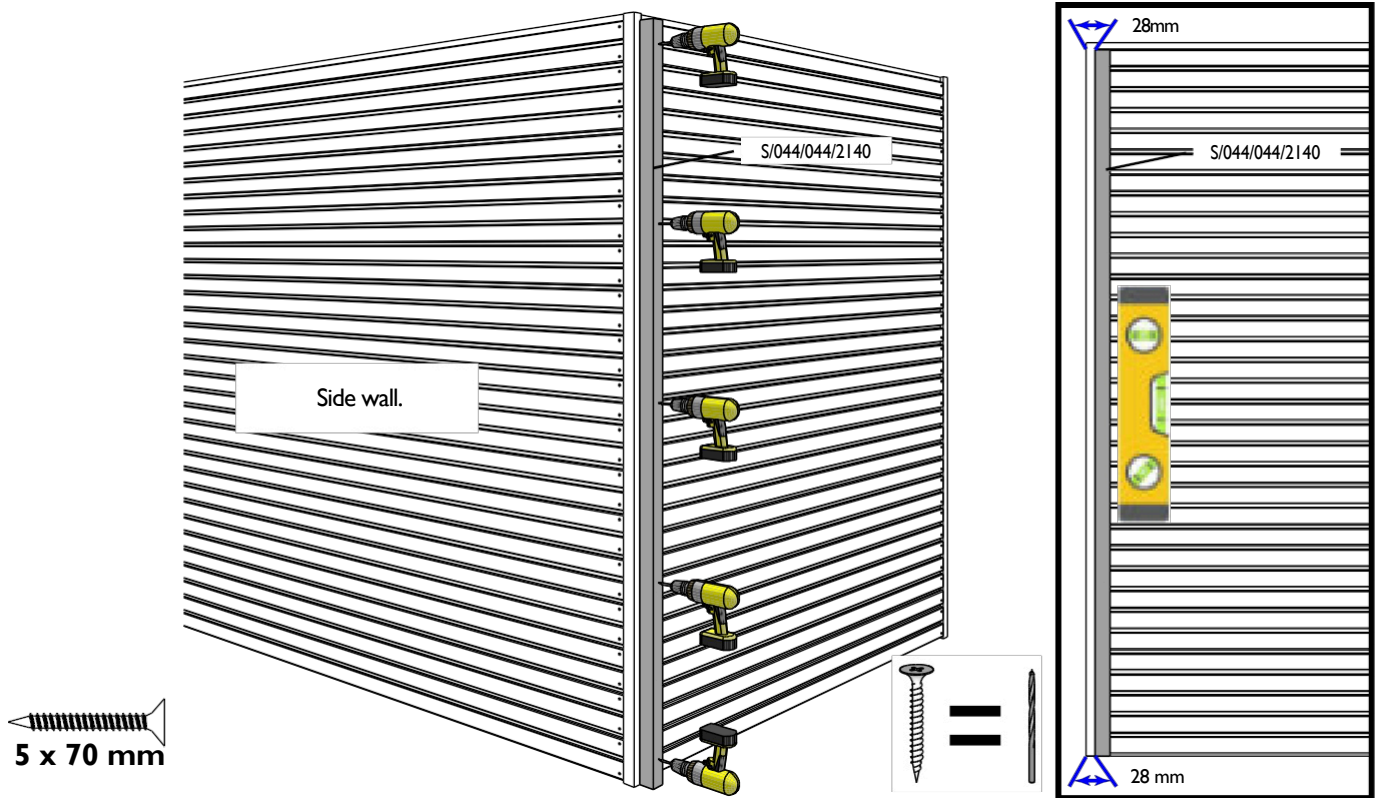
The wall can be mounted on either the left or right side.

The drawings show a **rear-right** installation. Swap/mirror for a different installation.

Any second extension should only be mounted after the garage roof has been installed; see step 31.

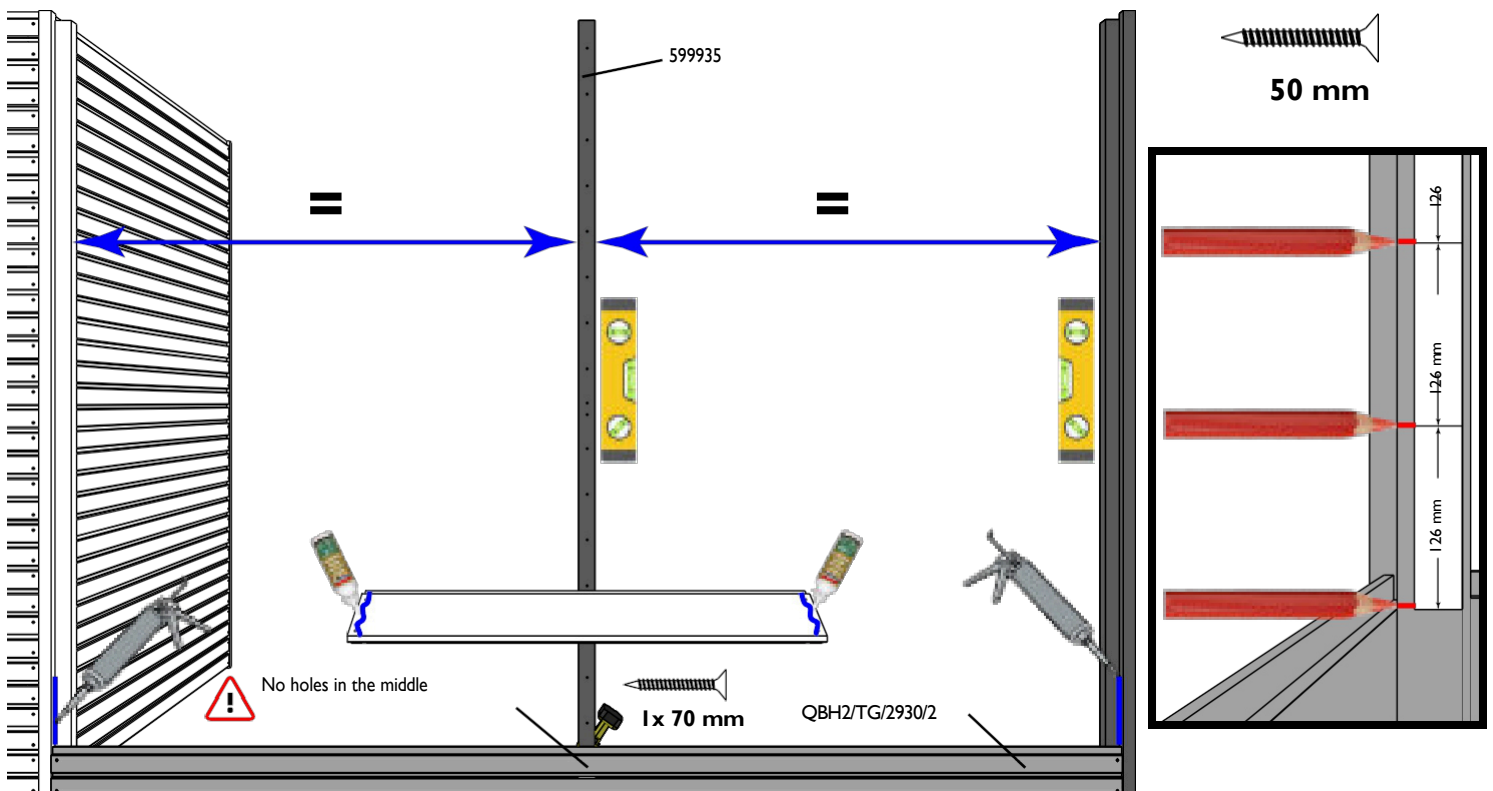
12.

Securing at the rear



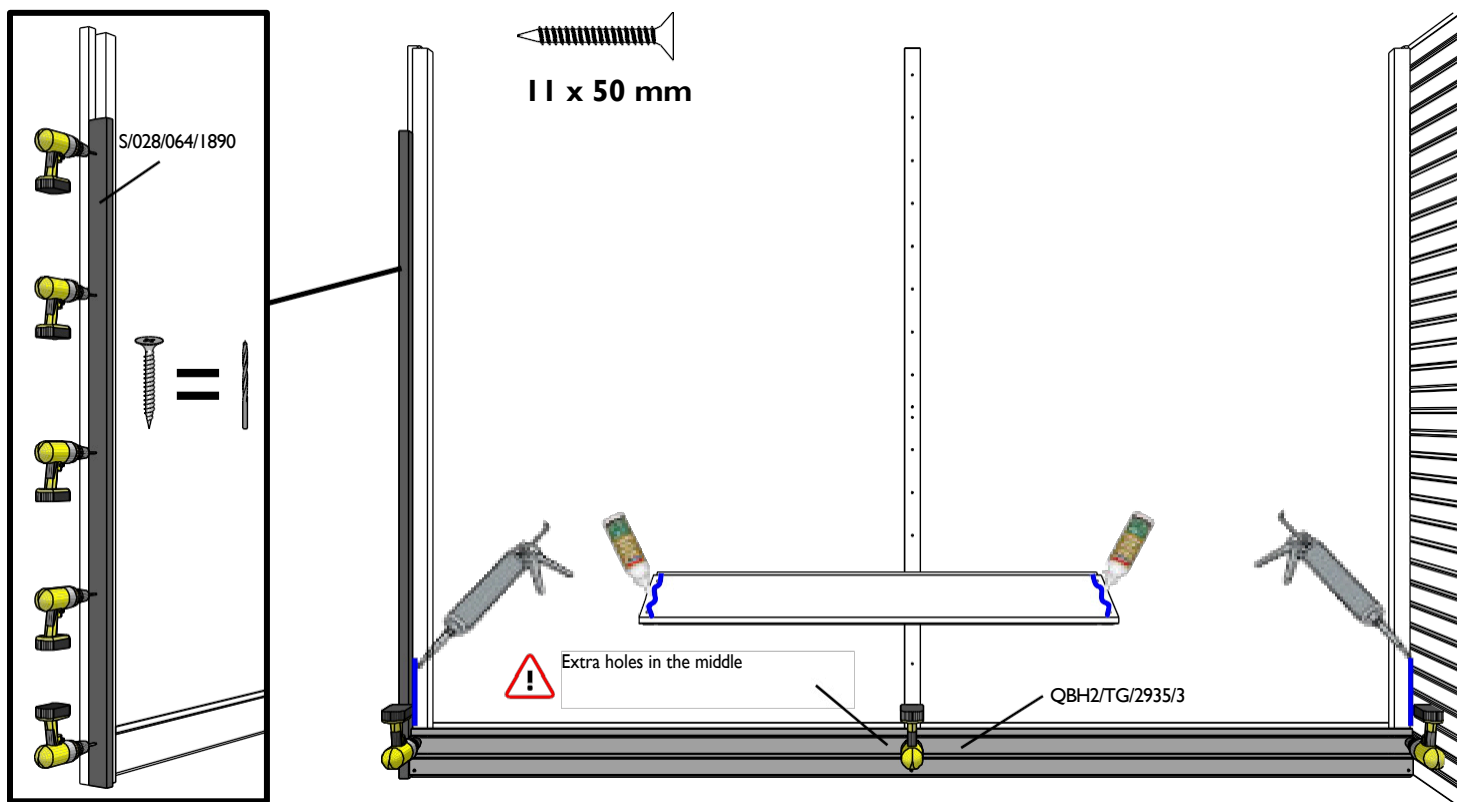
13.

Fit the first rear wall plank (**outside**) and mark the positions (see also step 5)



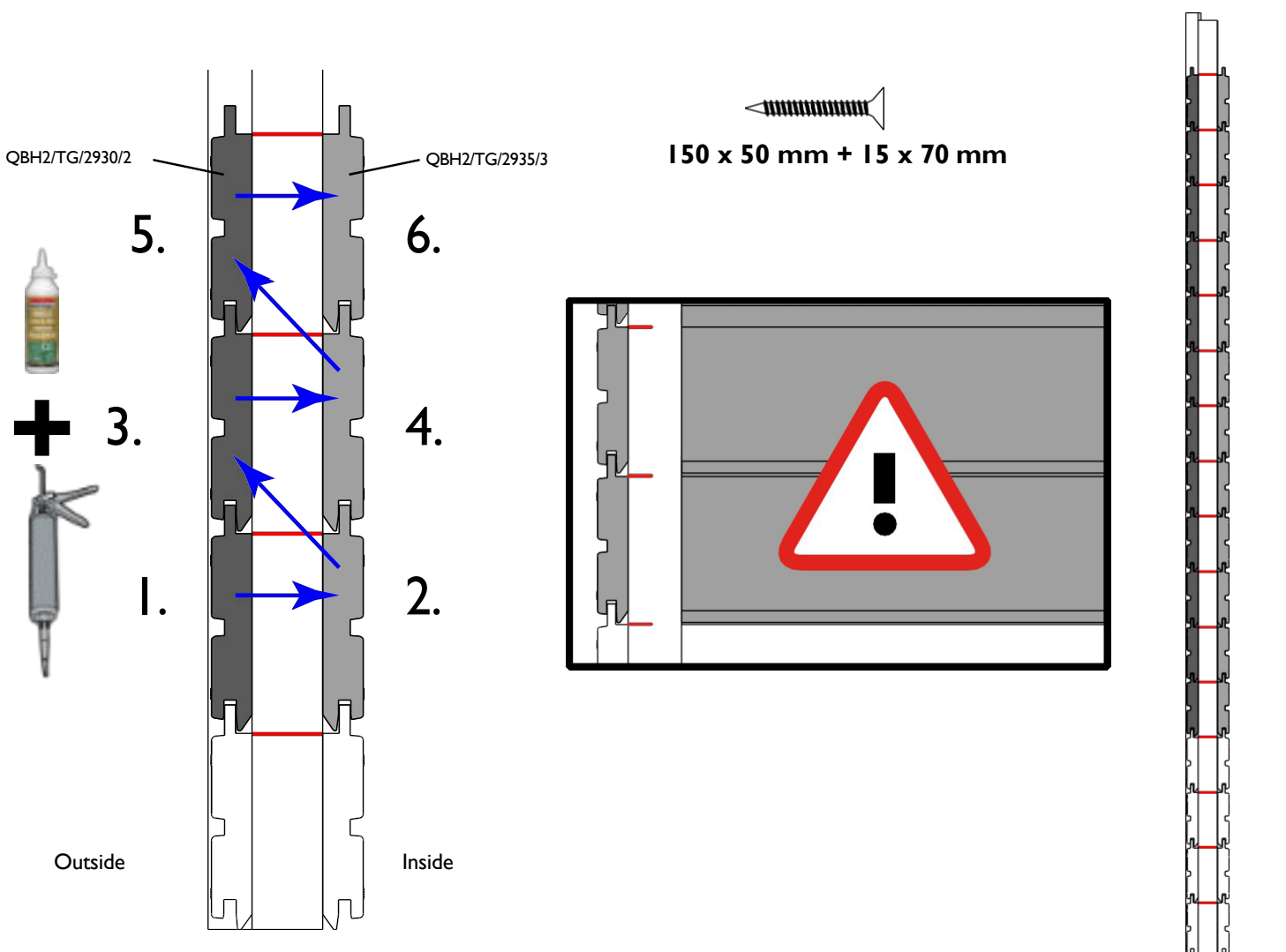
14.

Trim batten on the side and first rear wall plank (**inside**)



15.

Alternately secure one plank on the **outside** and **then** one plank on the **inside**.
Do not mount the top planks yet.



16.

Top plank, outer wall

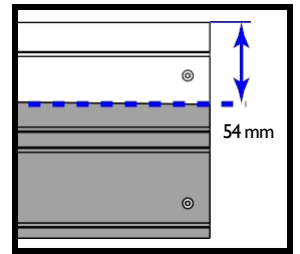
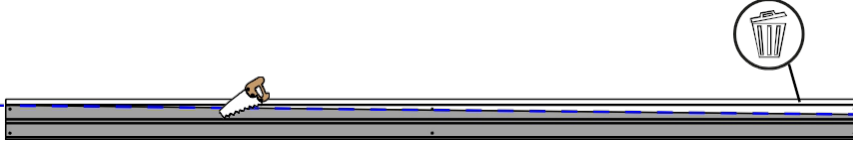
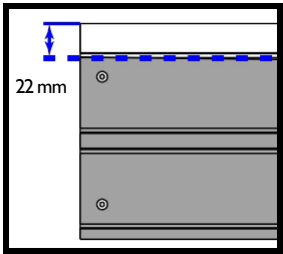


17.

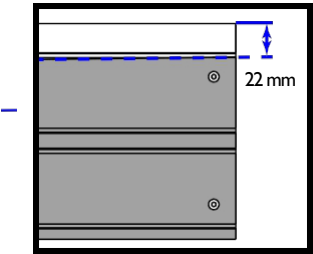
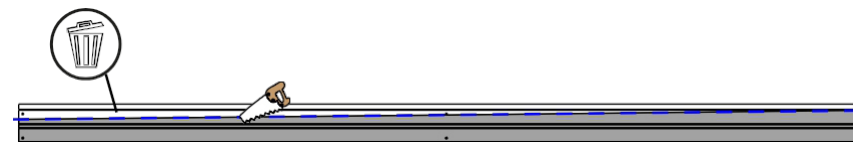
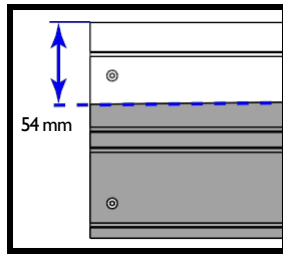
Preparation for top plank, inner wall.



Rear wall extension **right!**
Front wall extension **left!**

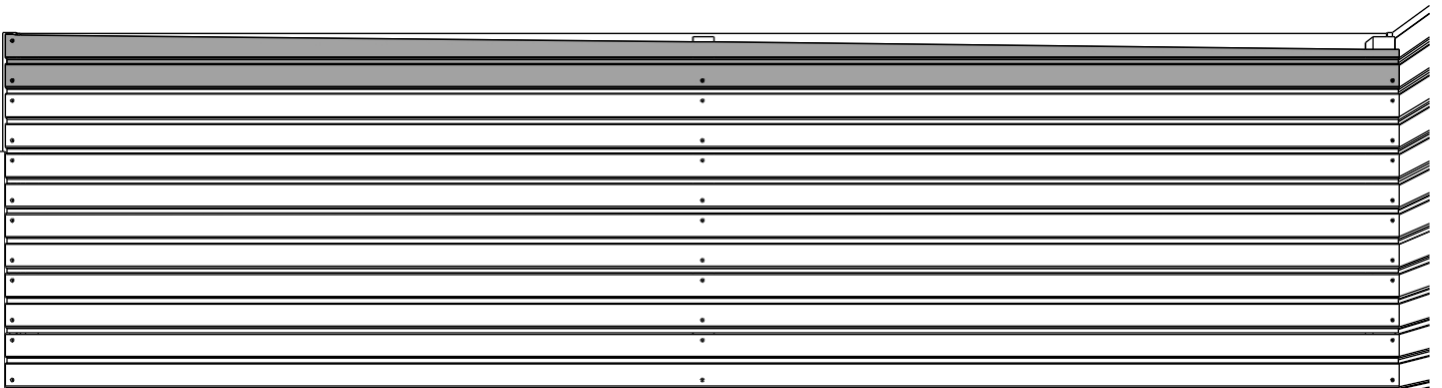
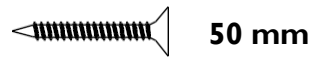


Rear wall extension **left!**
Front wall extension **right!**



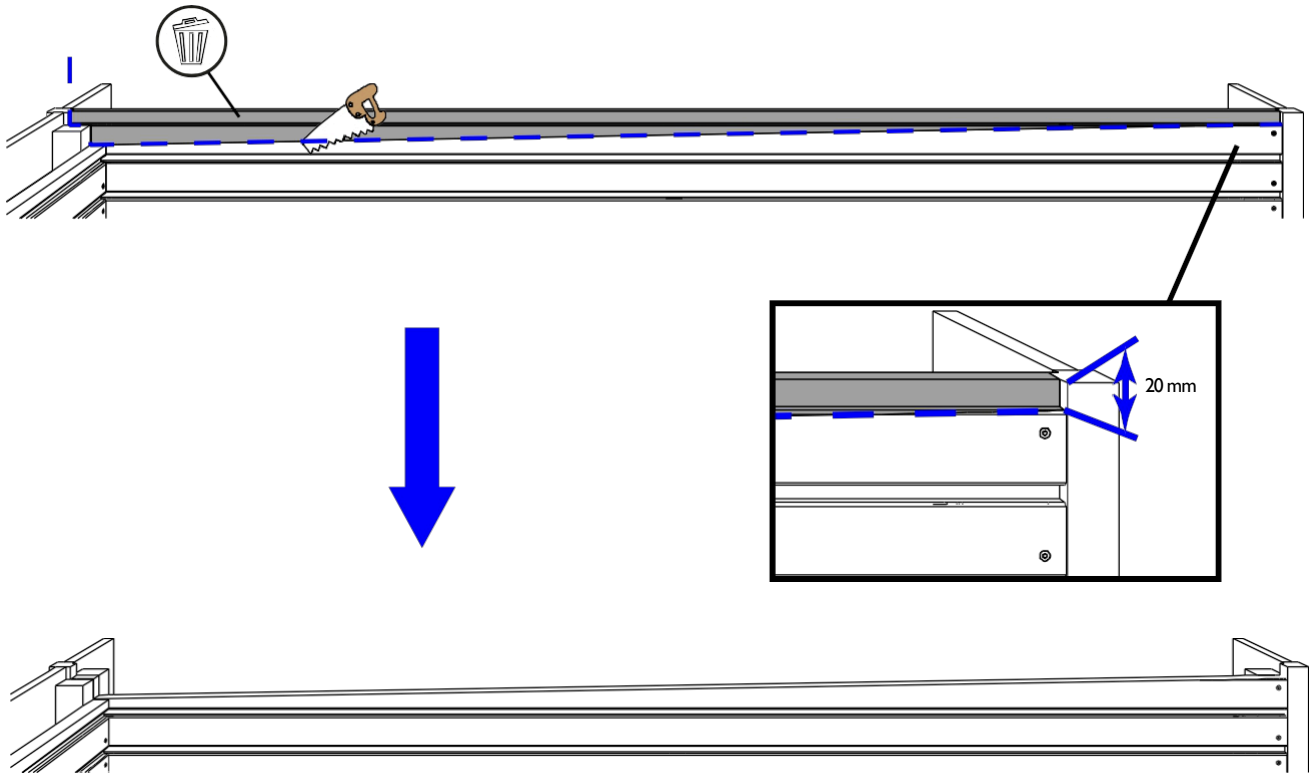
18.

Securing the top plank on the inner wall.



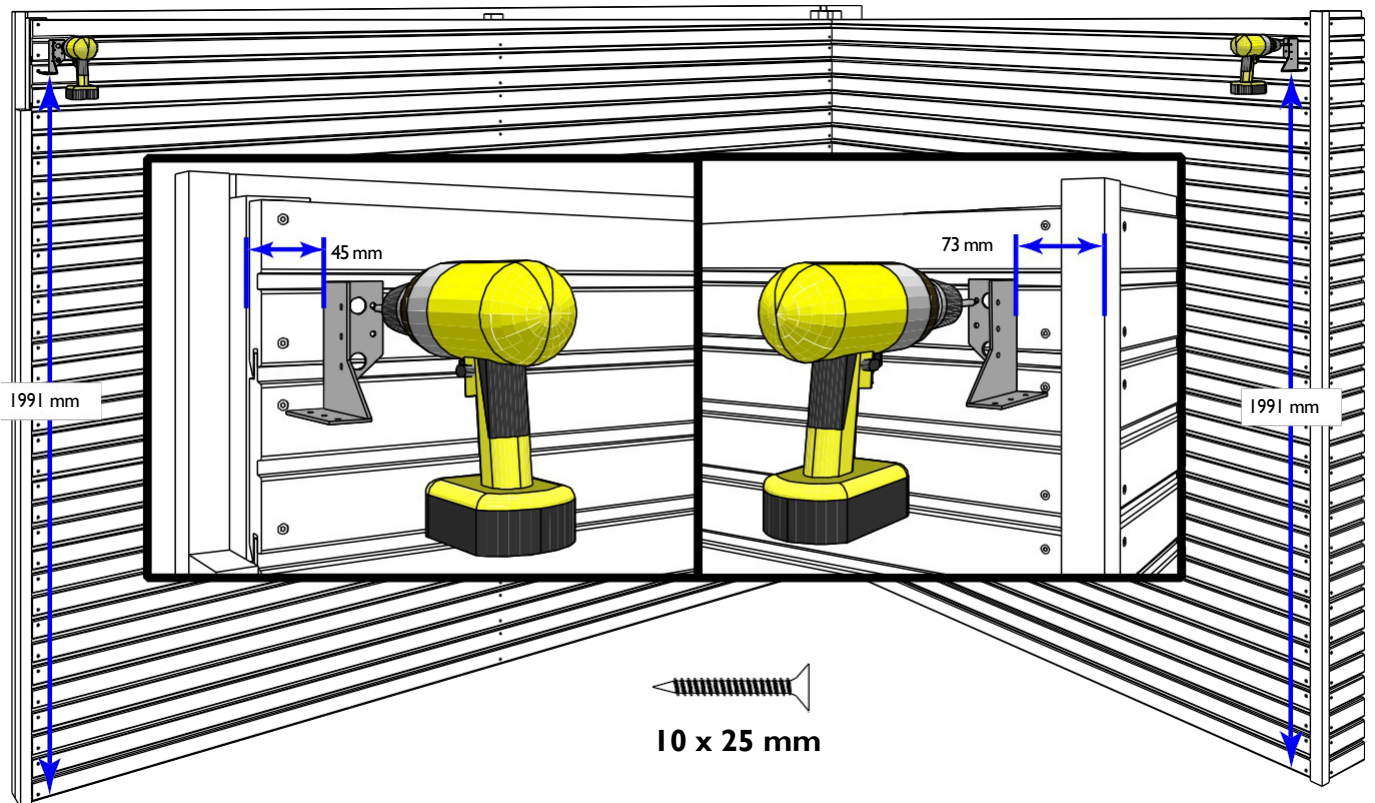
19.

Cutting the slope on rear and front side of the garage (extension side)



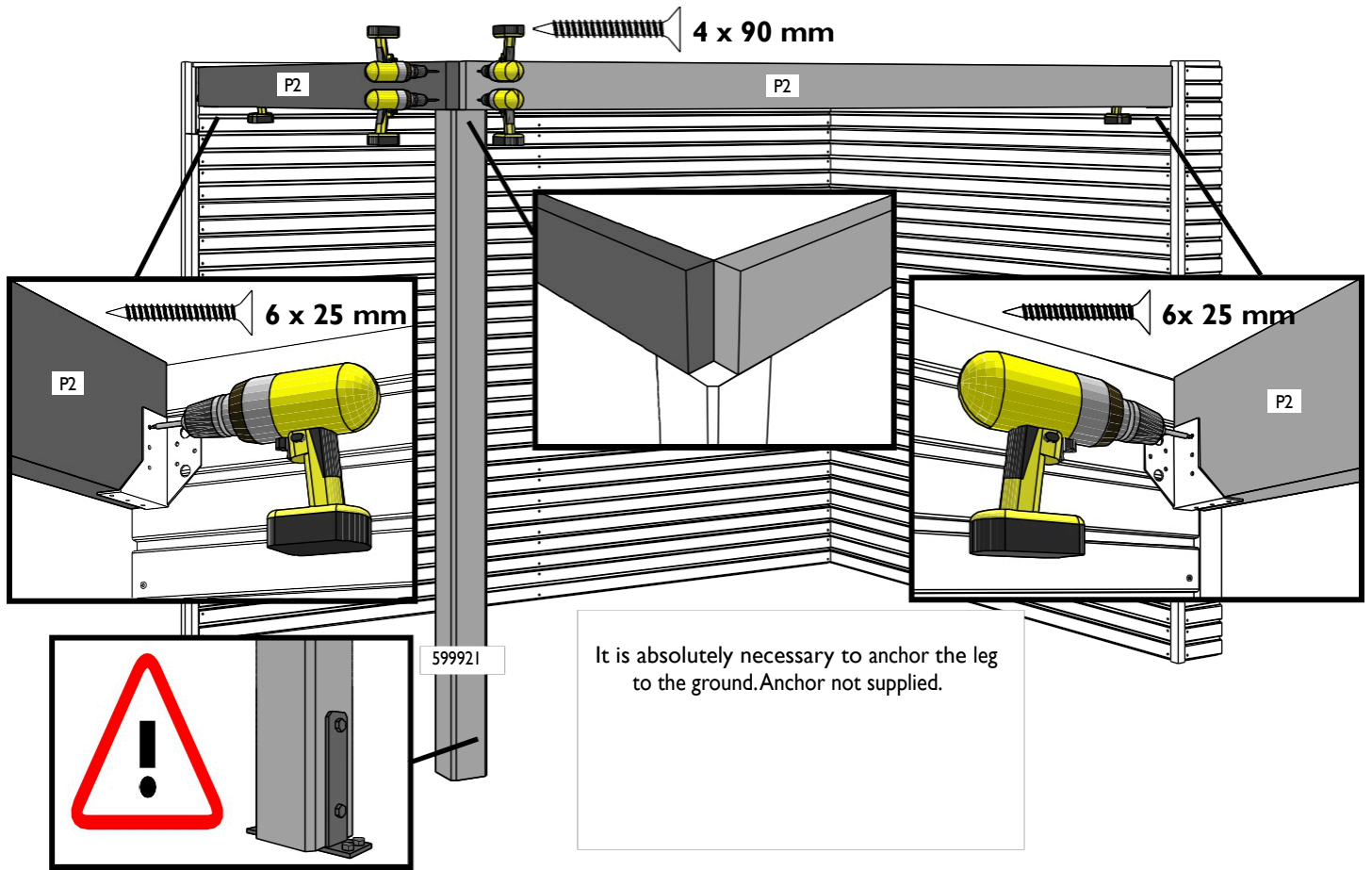
20.

Securing joist hangers



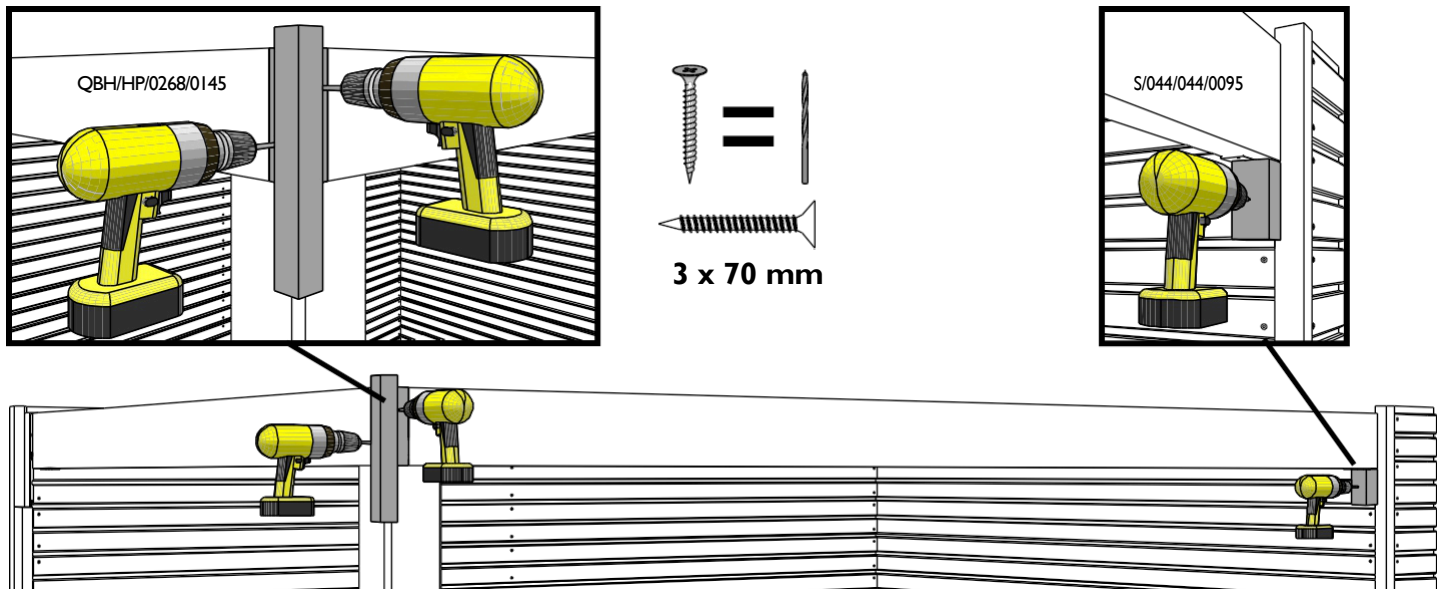
21.

Installation of the post and beams



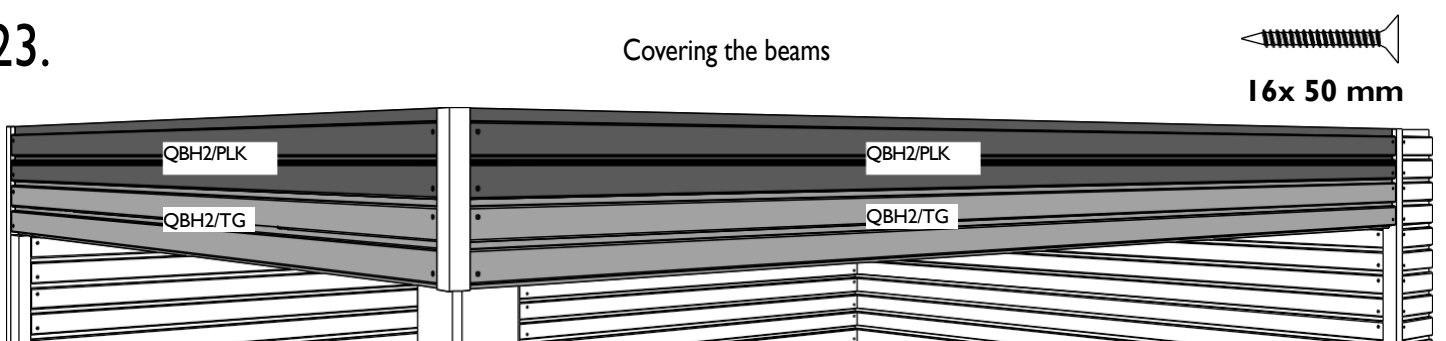
22.

Preparation for covering the beams



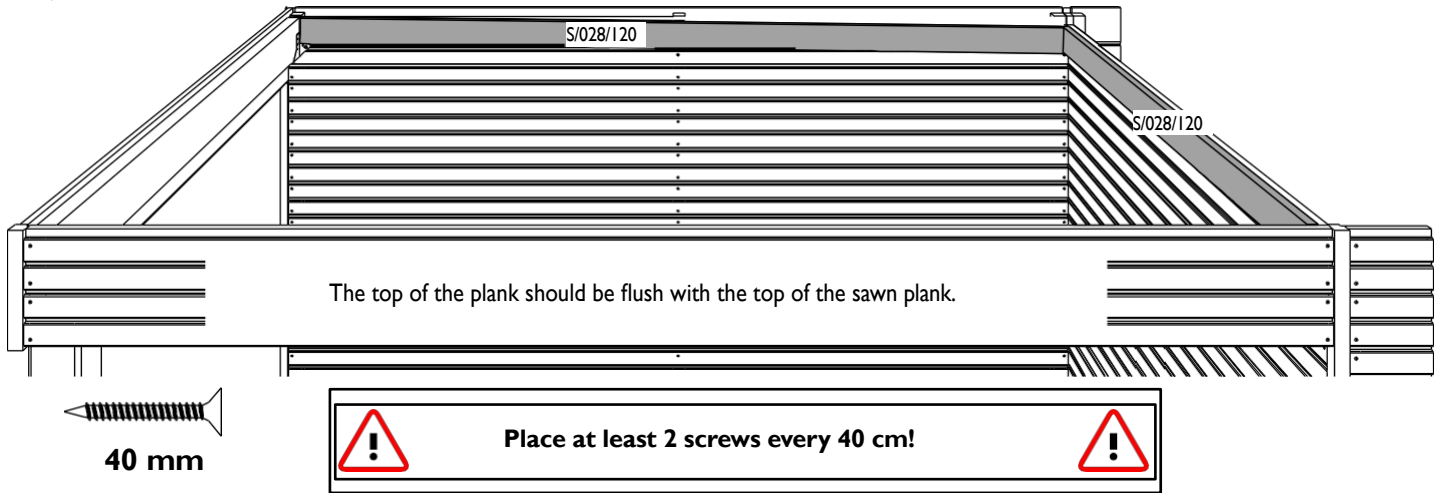
23.

Covering the beams

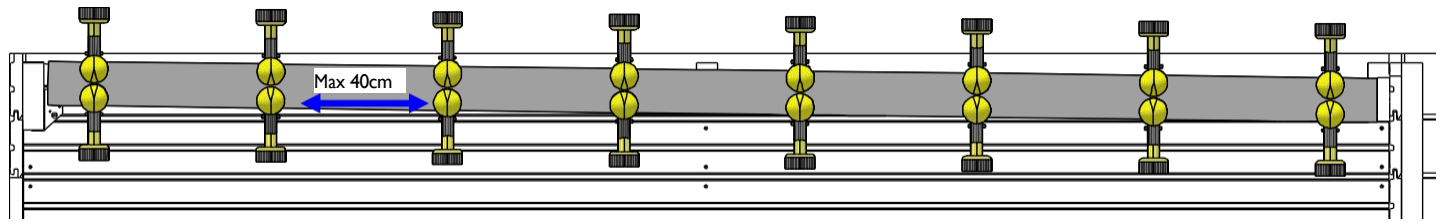


24.

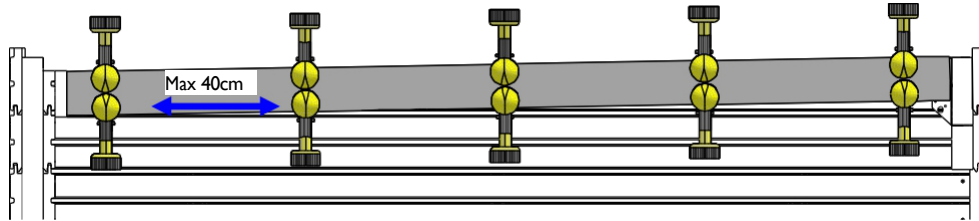
Mounting of the roof support structure



Wall extension

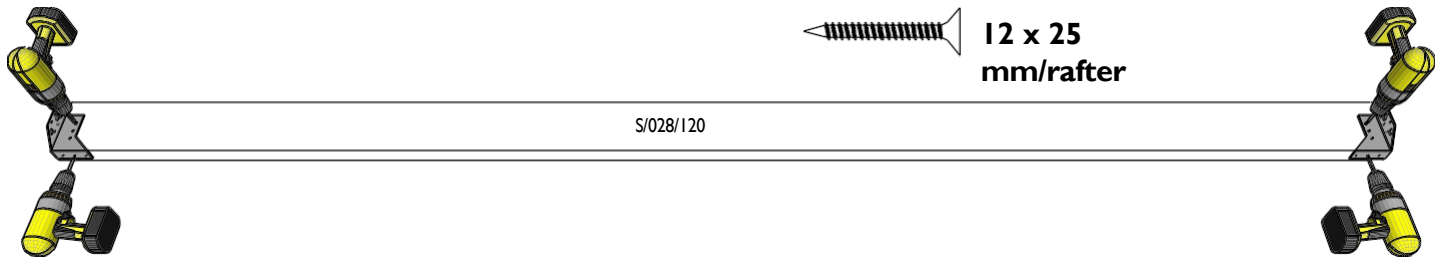


Garage side wall



25.

Preparation of the rafters

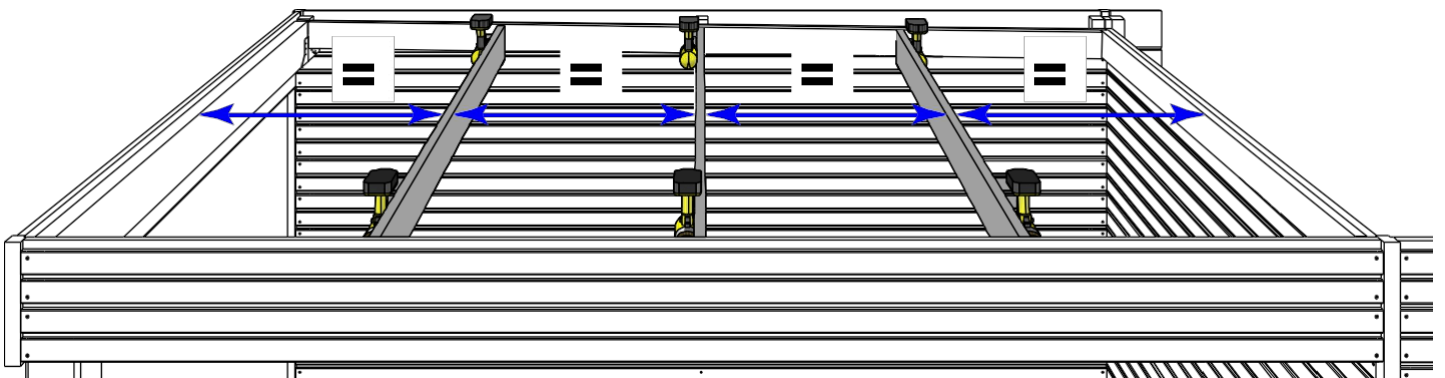


26.

Installation of the rafters

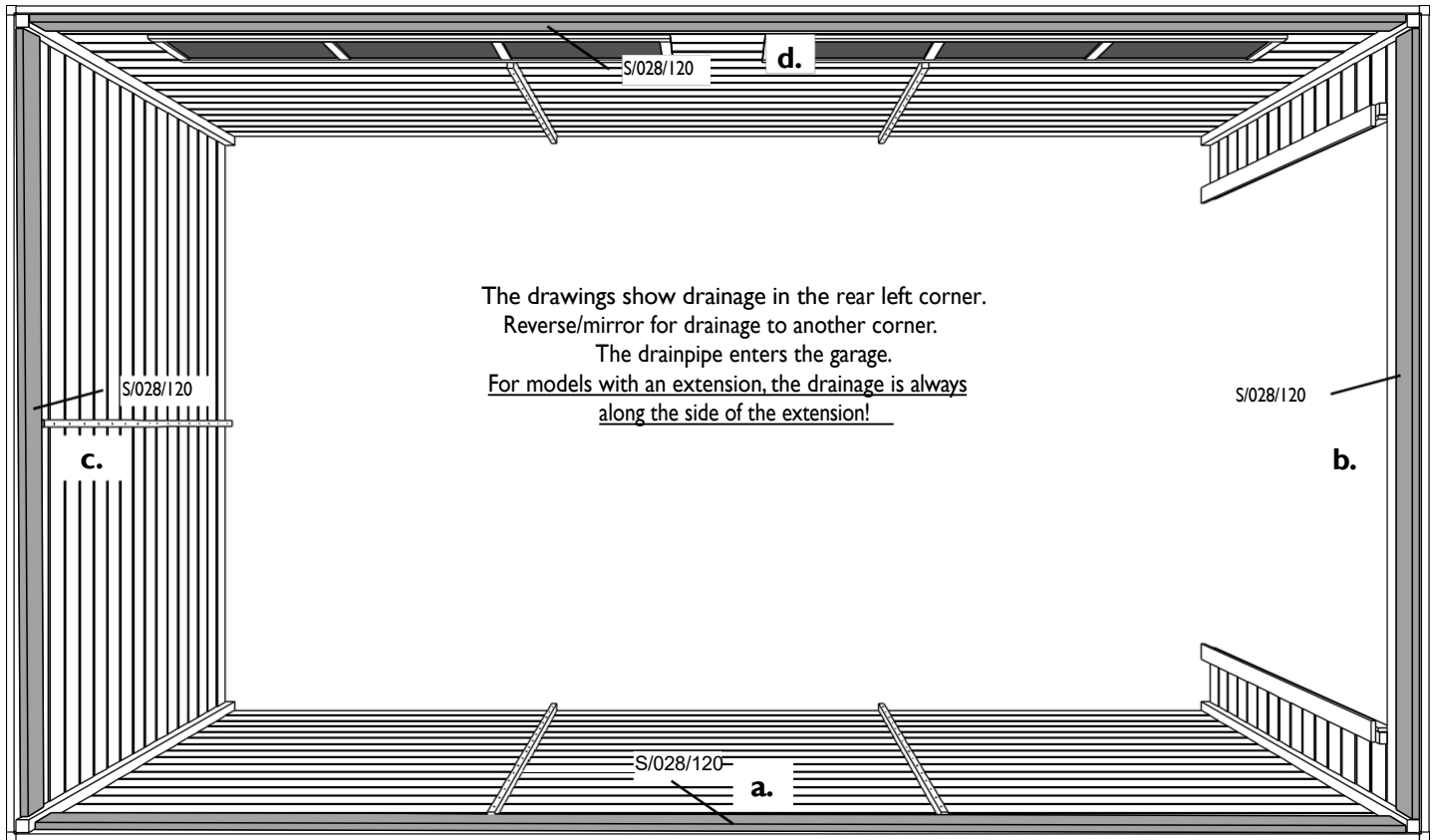
Distribute the rafters symmetrically across the width.

10 x 25 mm rafter



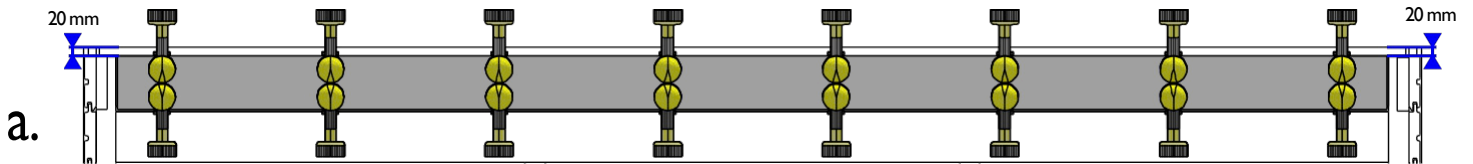


It is **VERY** important to follow the instructions carefully.
The entire weight of the roof is supported by these four planks.

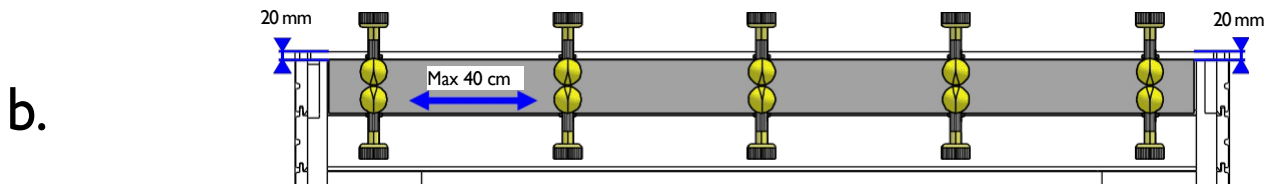


Place at least 2 screws every 40 cm!

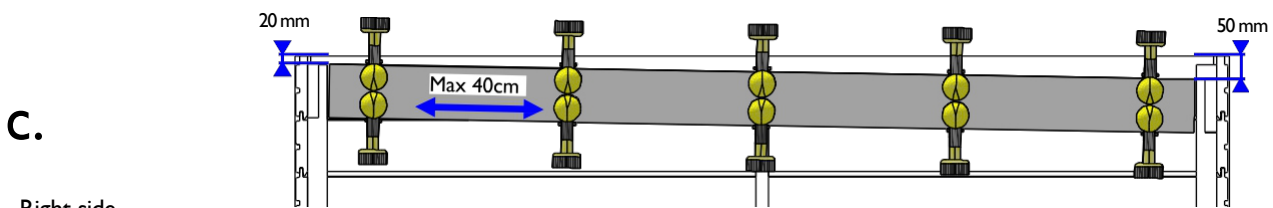
Left side (with windows)



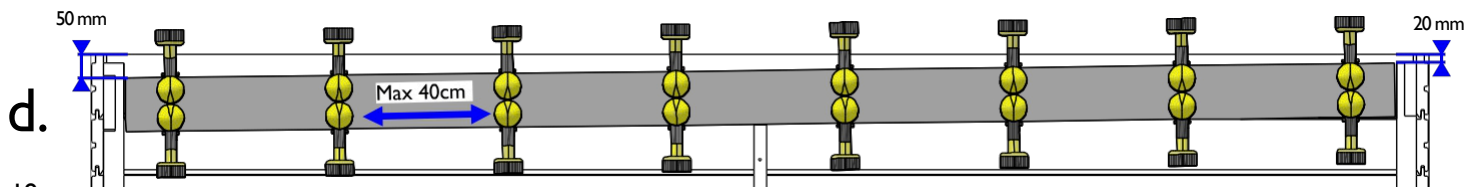
Front (with gate)



Rear

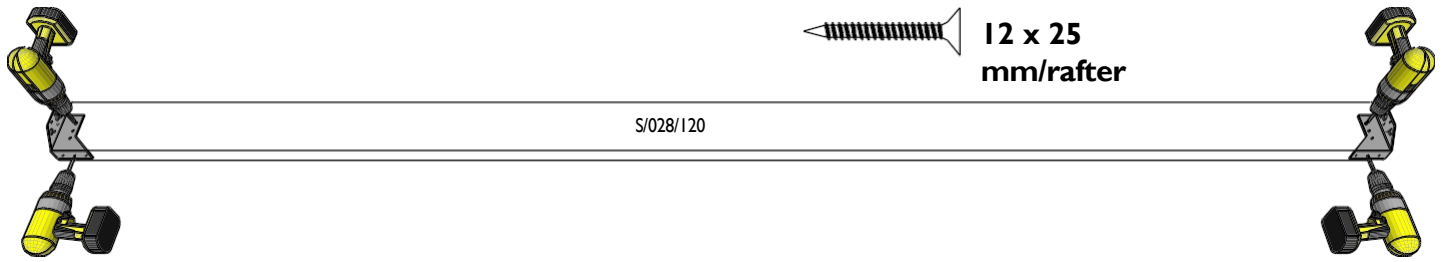


Right side



28.

Preparation of the rafters

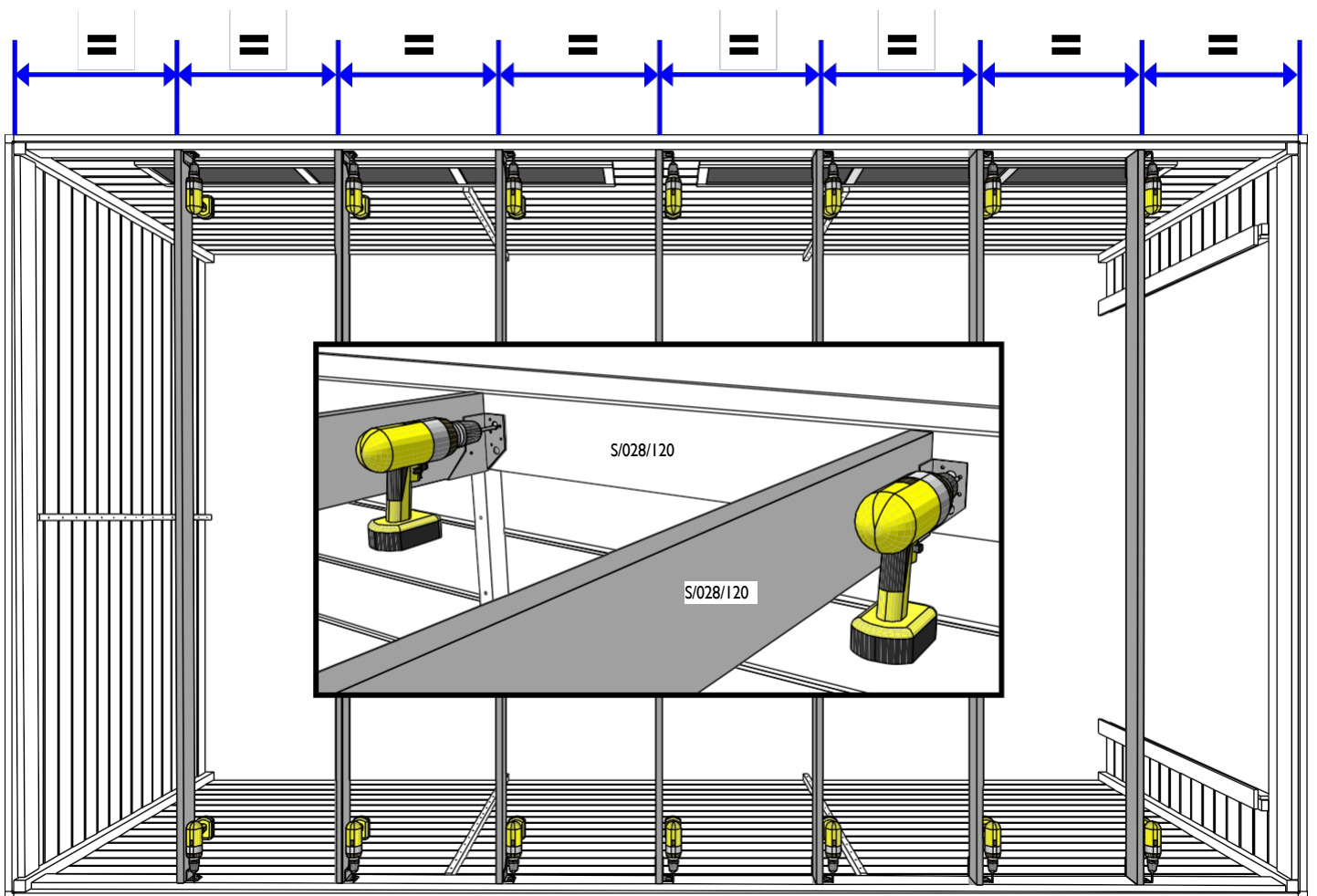


29.

Installation of the garage rafters

Distribute the rafters symmetrically across the depth of the garage.
The number of rafters may differ from the garage you have purchased.

10 x 25 mm/rafter

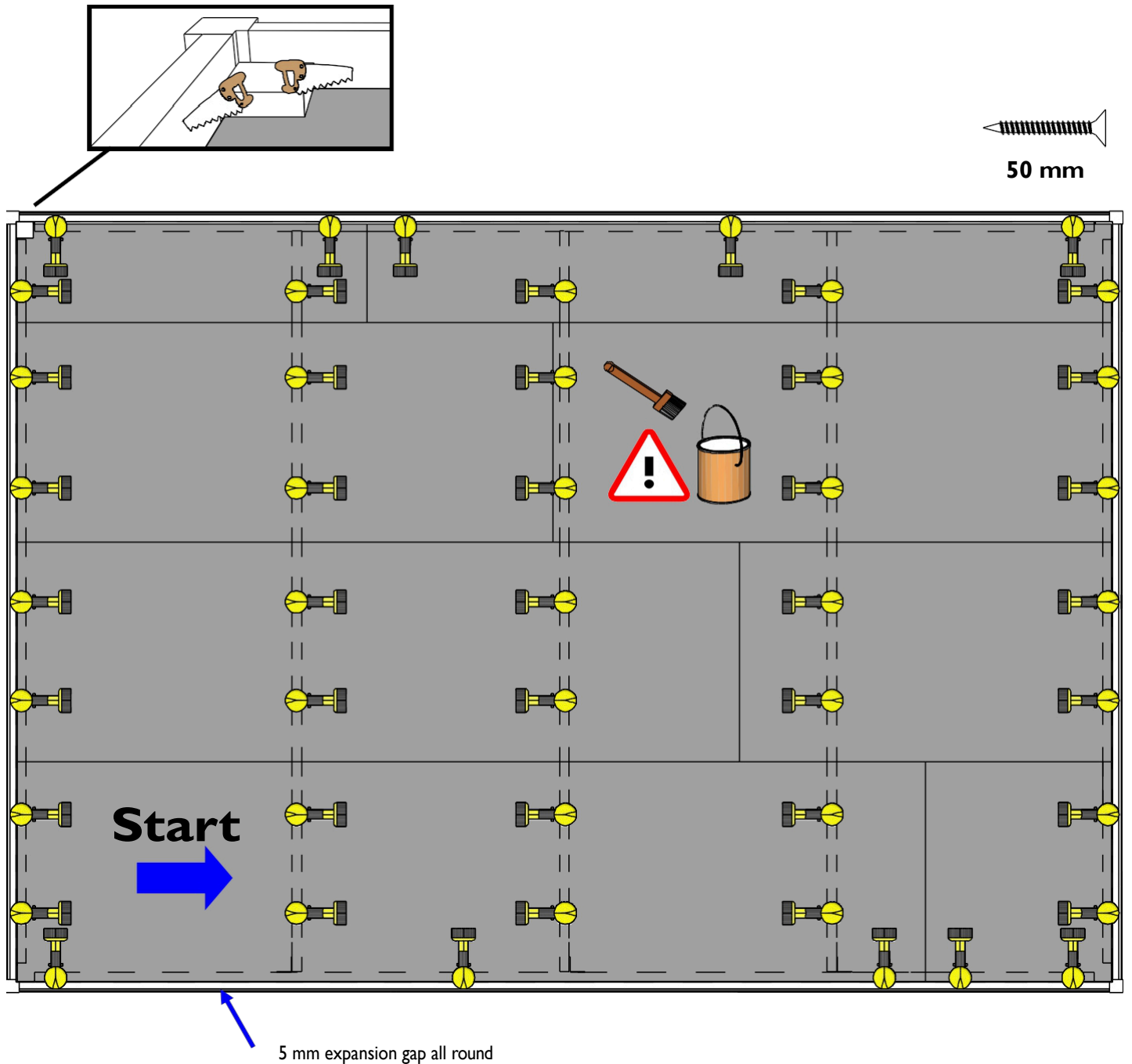


30.

Installation of the OSB

Refer to the diagrams in the parts list for the installation of the sheets; always start in the front left corner. Allow a 5 mm expansion gap between the OSB and the walls.

For models with an extension, the OSB continues across both roof sections.



Treat the OSB3 roof sheets on top and bottom with a protective coat of stain or other paint; this will significantly extend the lifespan of your product and help prevent mould.





ATTENTION! The following instructions explain how to install a second extension.
Go to step **36** for the instructions without an extra extension.

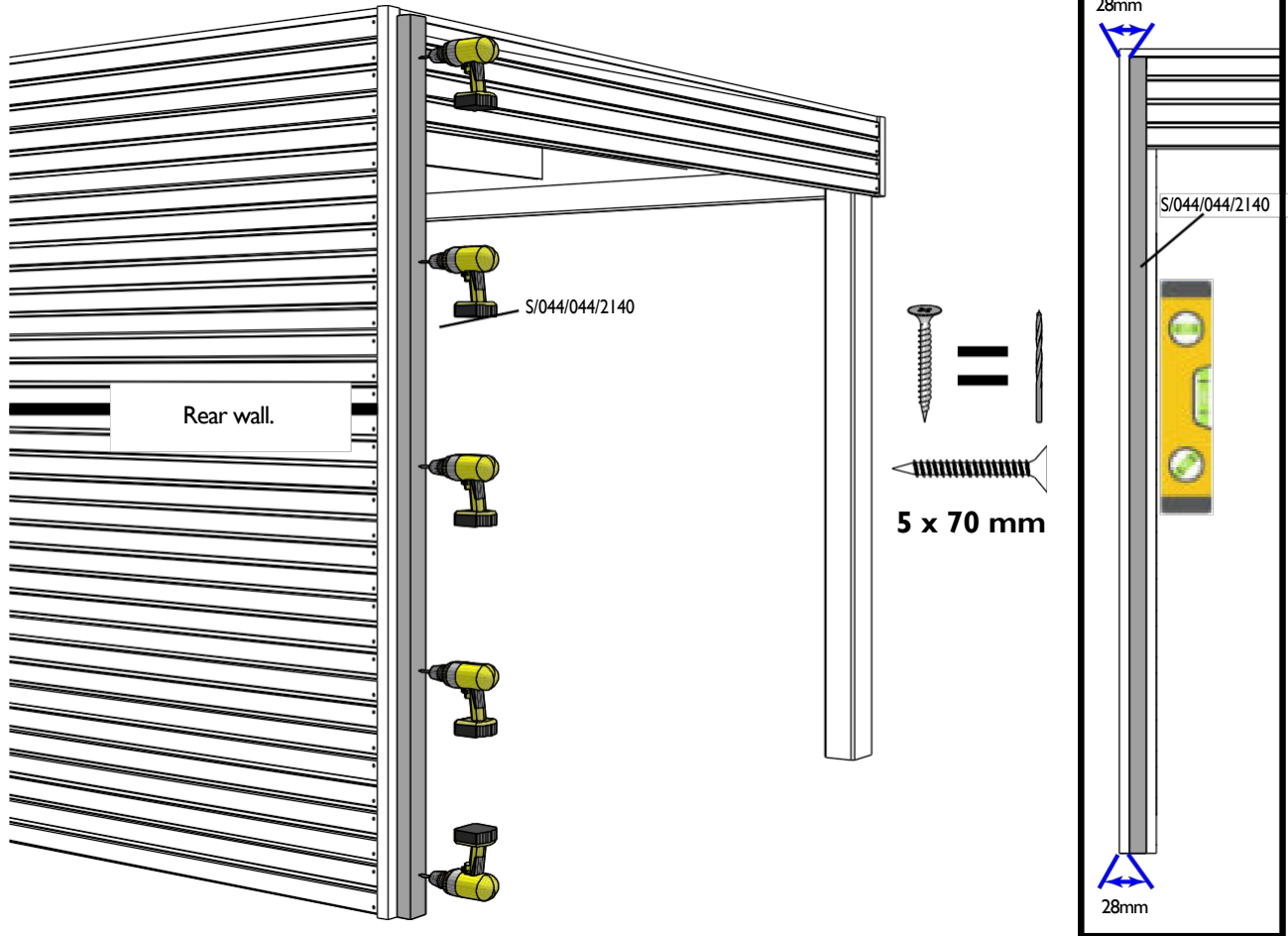


You can install this extra extension either to the already placed extension or on the other side of the garage.

The drawings show installation on the already placed extension **at the rear**. Reverse the drawing for mounting on the other side.

31.

Rear mounting



32.

Build the wall as described for the first extension, steps 13–18.



ATTENTION! Do not saw as described in step 19!

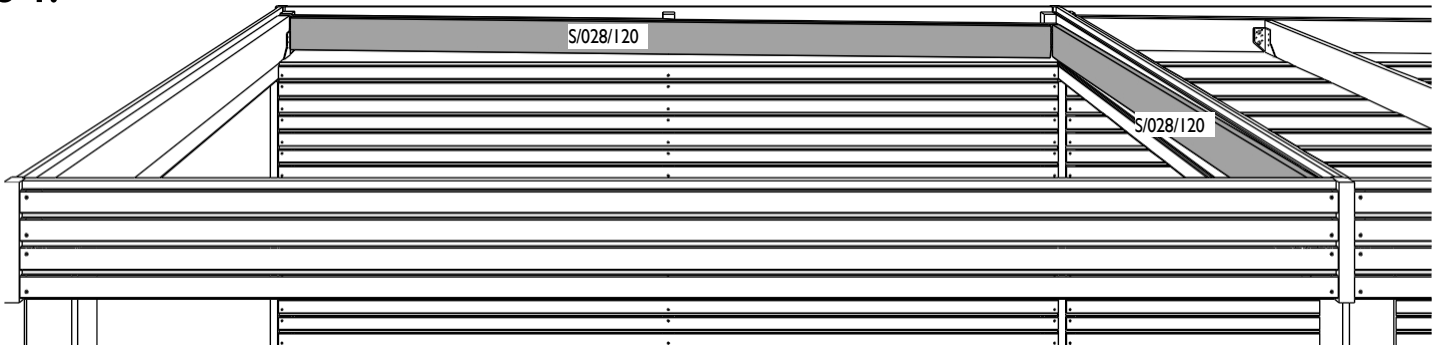


33.

Continue building as described for the first extension, steps 20–23.

34.

Mounting of the roof support structure



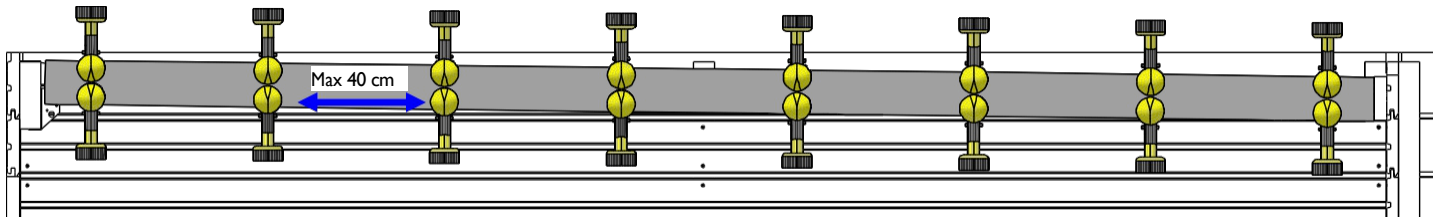
40 mm



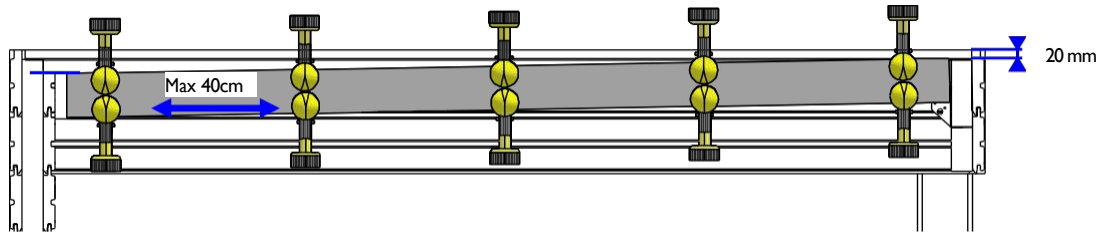
Place at least 2 screws every 40 cm!

Wall extension

The top of the plank should be flush with the top of the sawn plank.



Side wall of 1st extension / garage



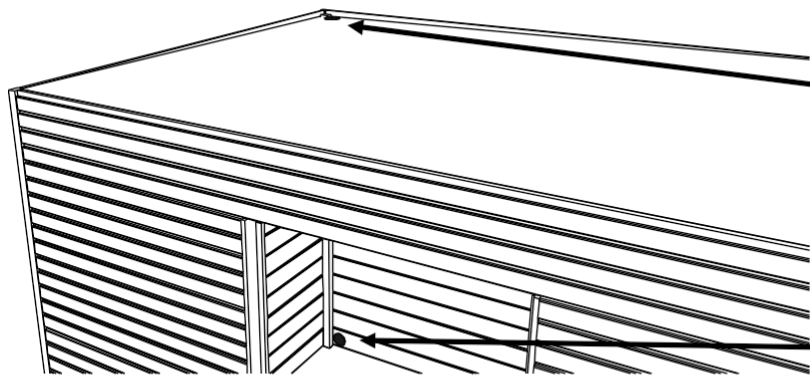
35.

Finally, mount the rafters; see steps 25–26.
Place the OSB, see step 30.

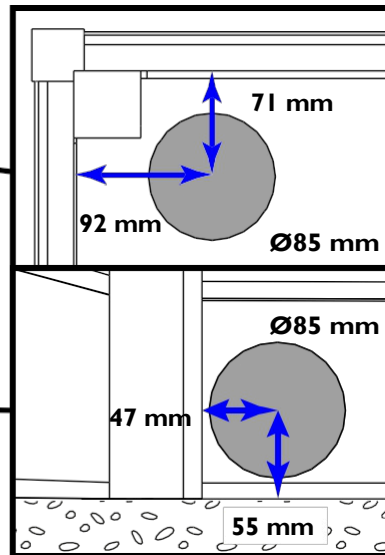
36.

Mounting the gutter

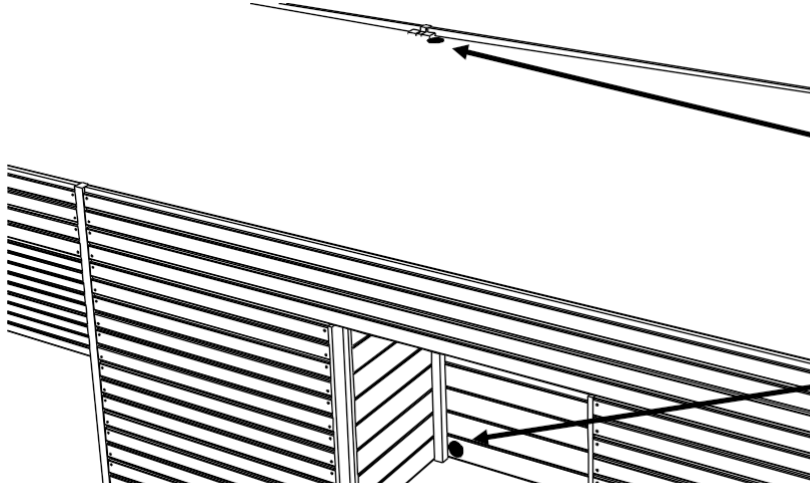
a1. Without extension



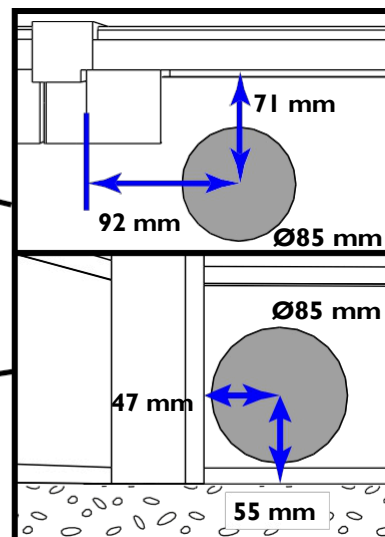
Place the gutter at the lowest point of the roof. See also step 27.



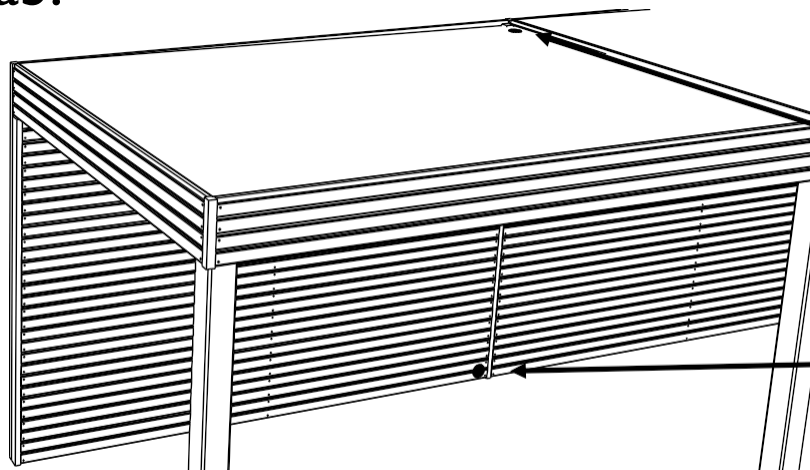
a2. With extension



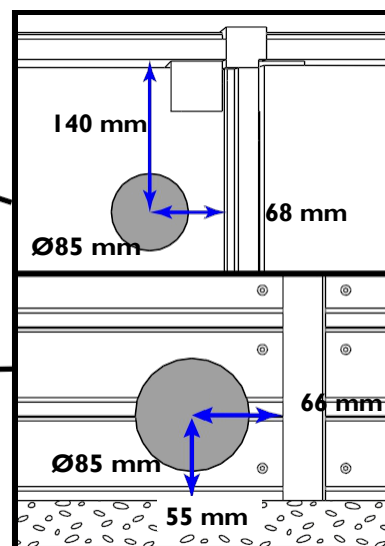
Place the gutter at the lowest point of the roof. See also step 27.



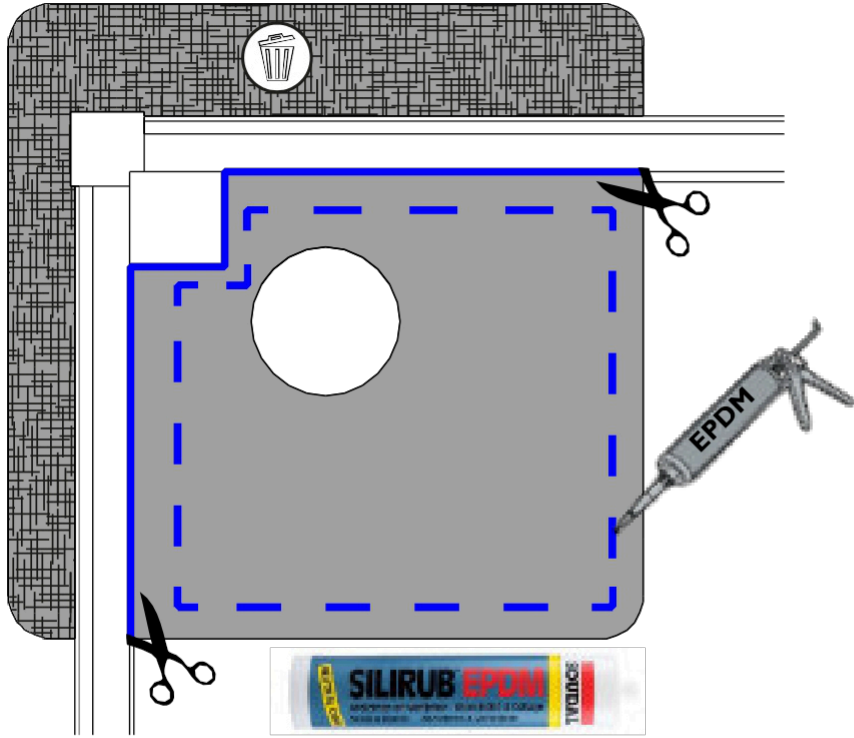
a3. 2nd extension



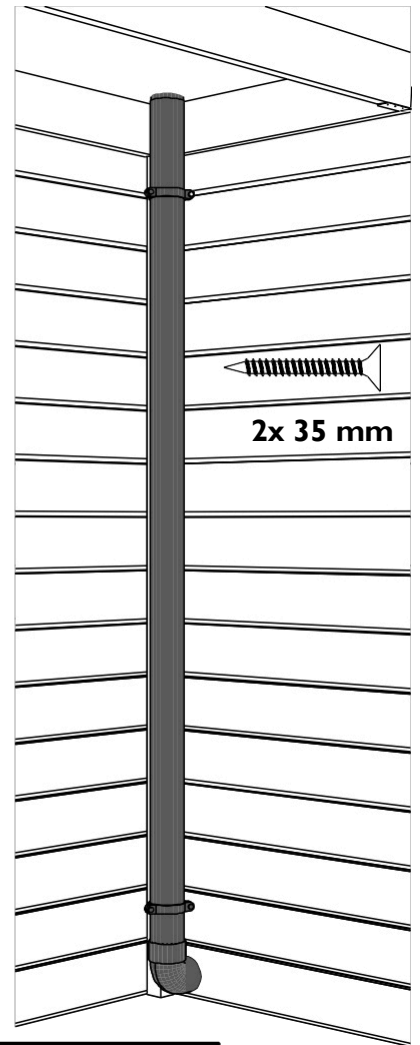
Place the gutter at the lowest point of the roof. See also step 27.



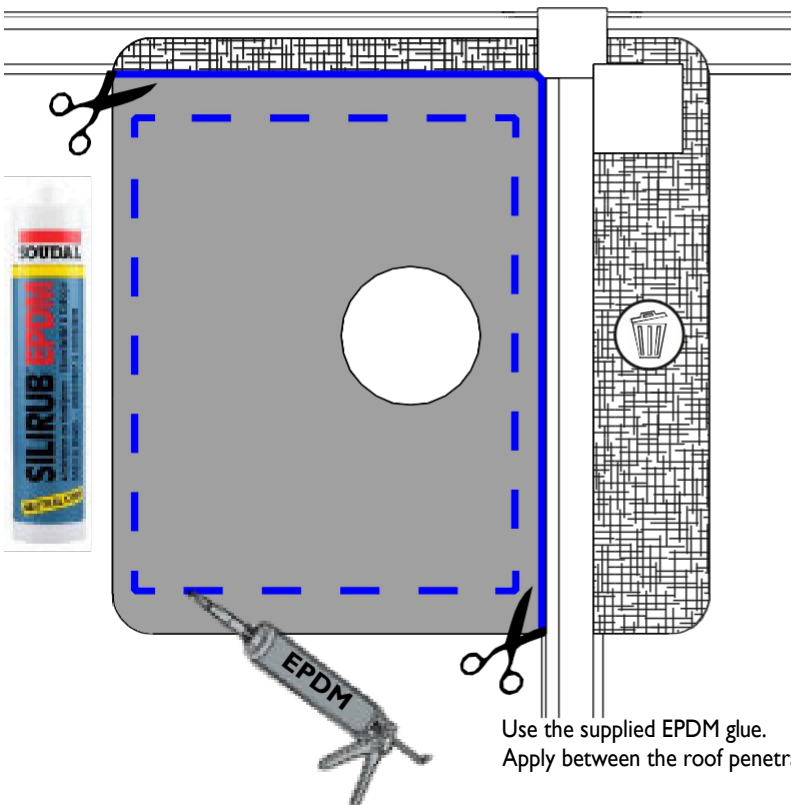
b1. garage (and extension)



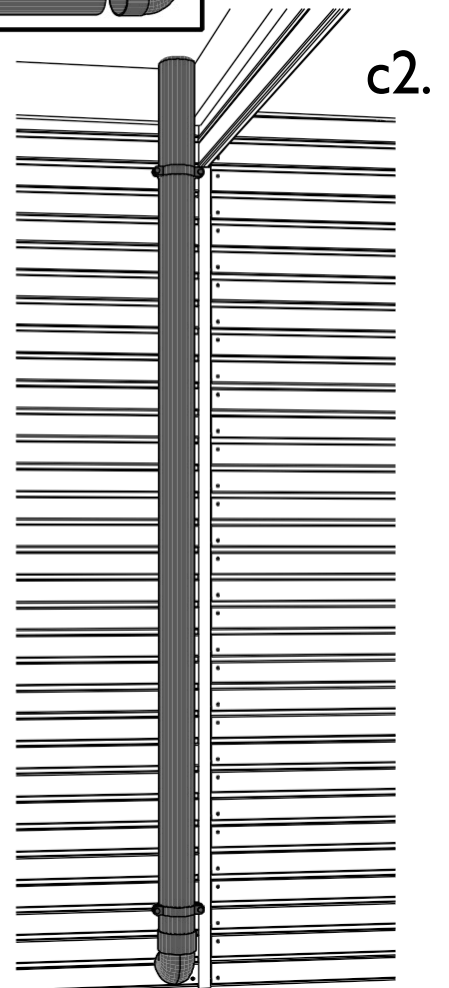
Use the supplied EPDM glue.
Apply between the roof penetration and the OSB

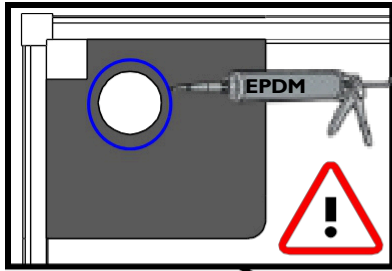
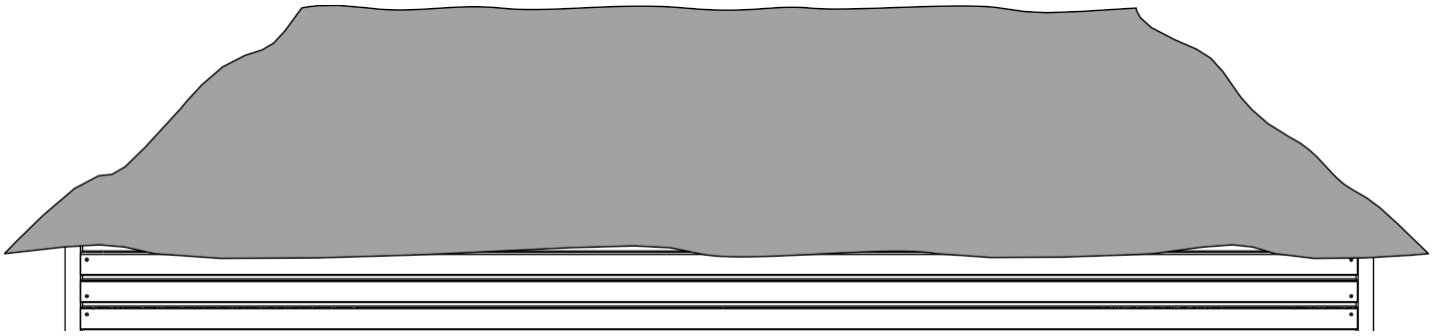


b2. 2nd extension

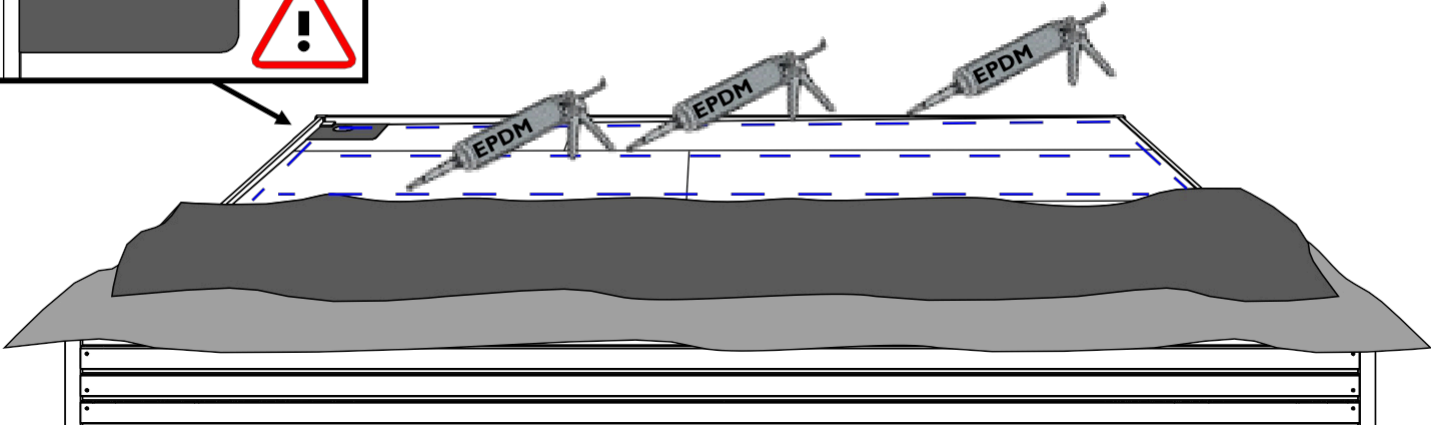


Use the supplied EPDM glue.
Apply between the roof penetration and the OSB

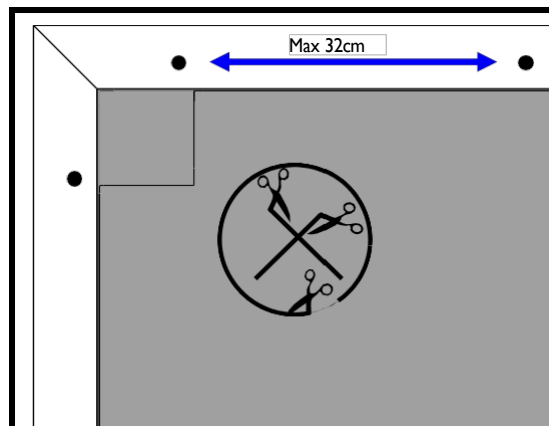
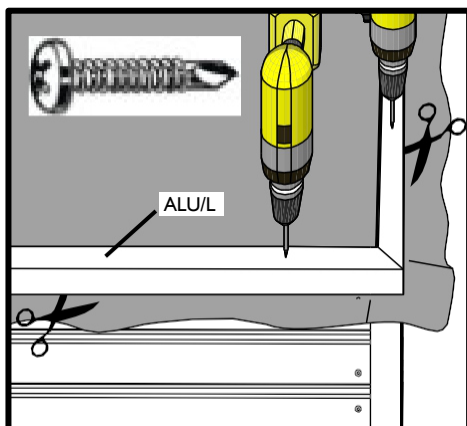
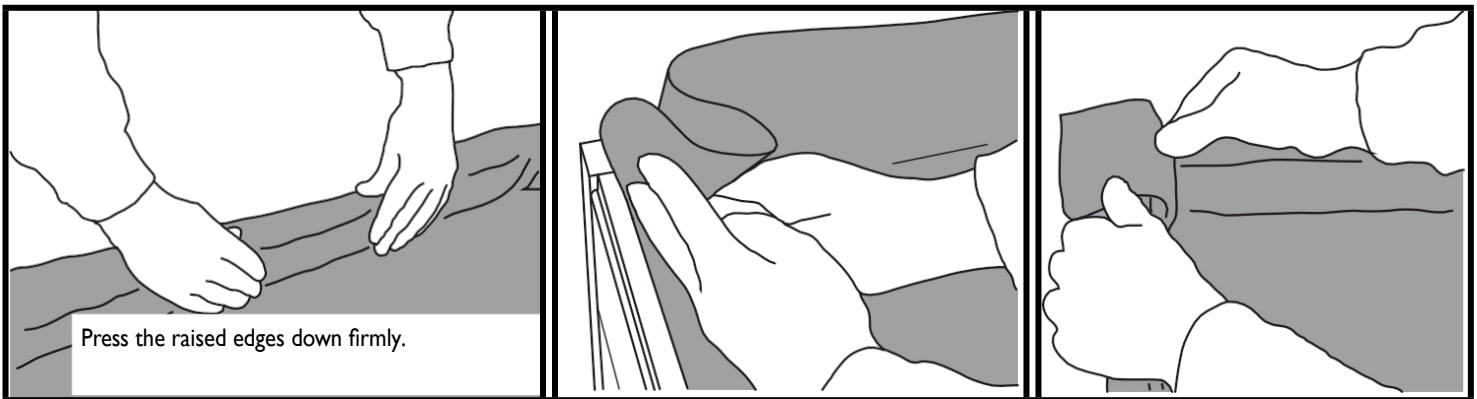




Apply EPDM glue in regular spaced beads.
Apply a continuous circle around the drain.

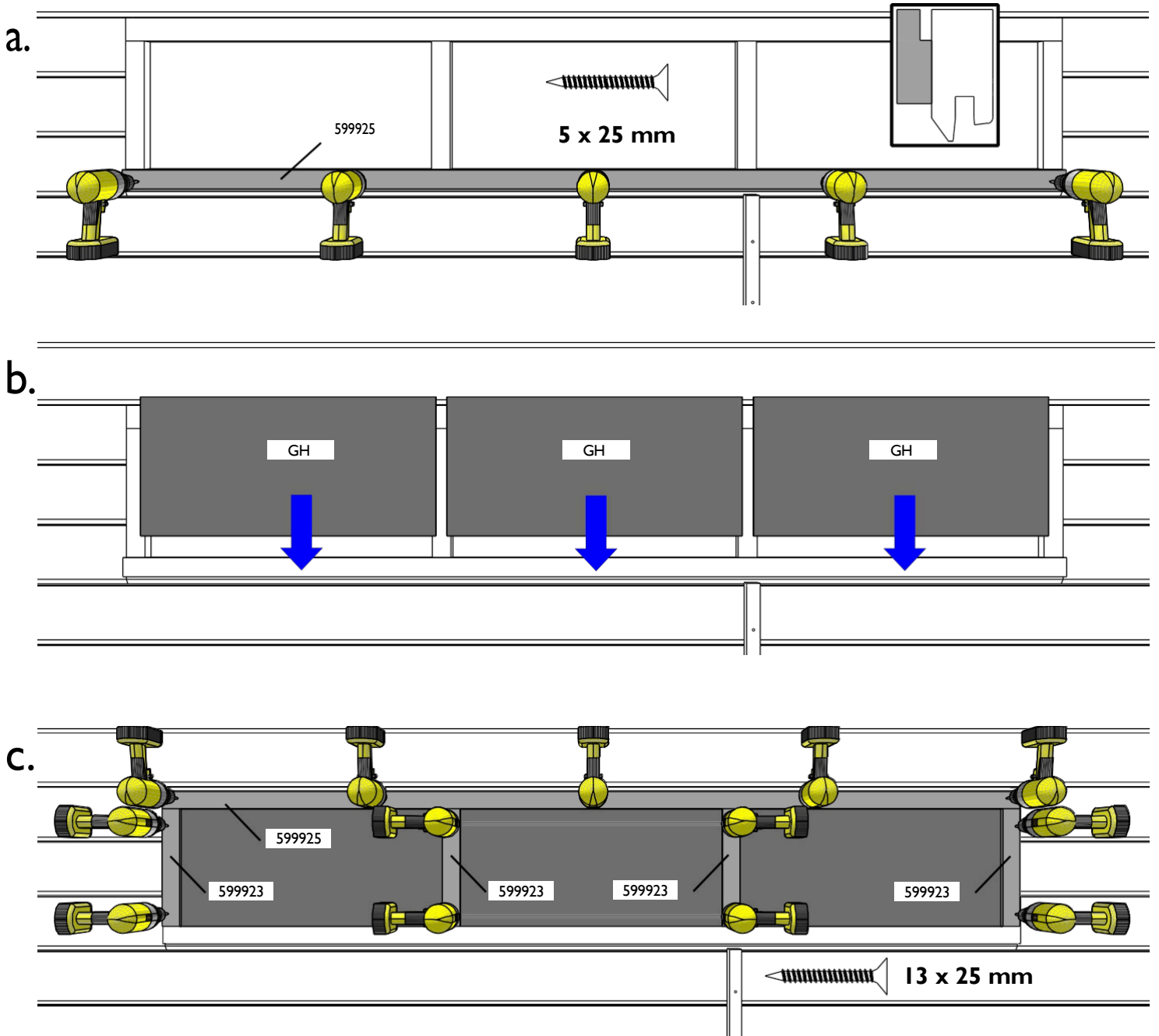


The EPDM for the garage and extension(s) consists of several sheets; glue these together with a full, continuous bead of glue.



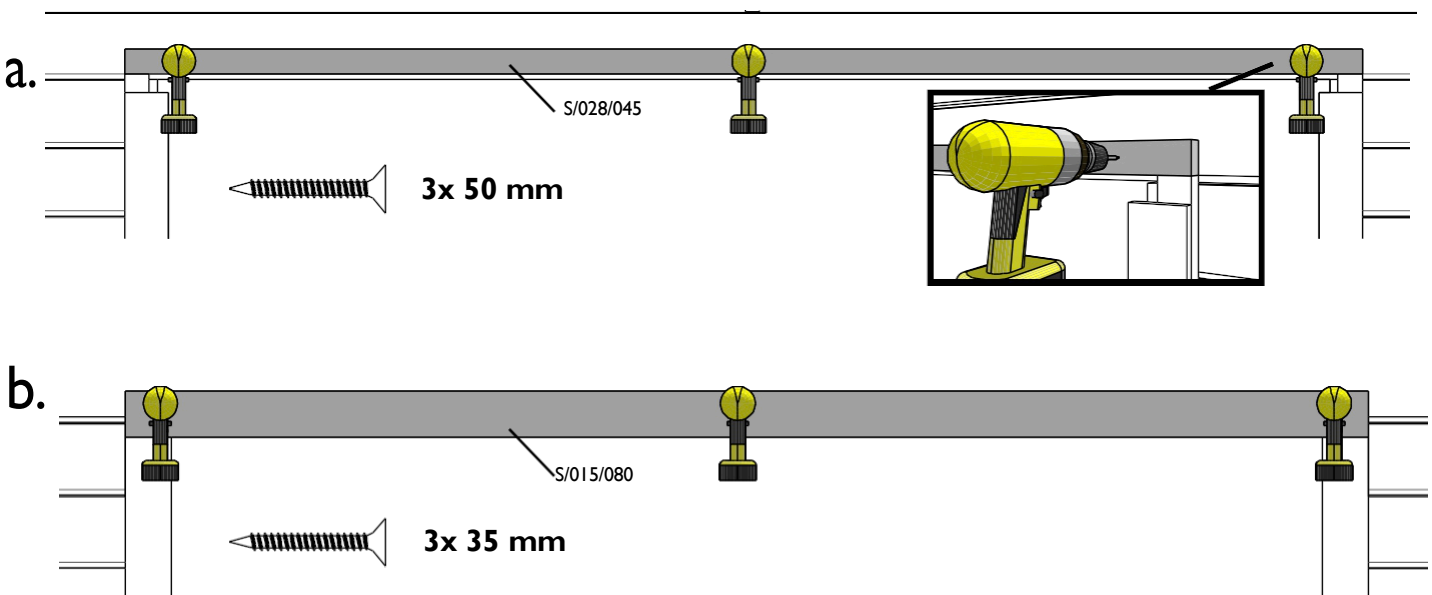
38.

Glass installation



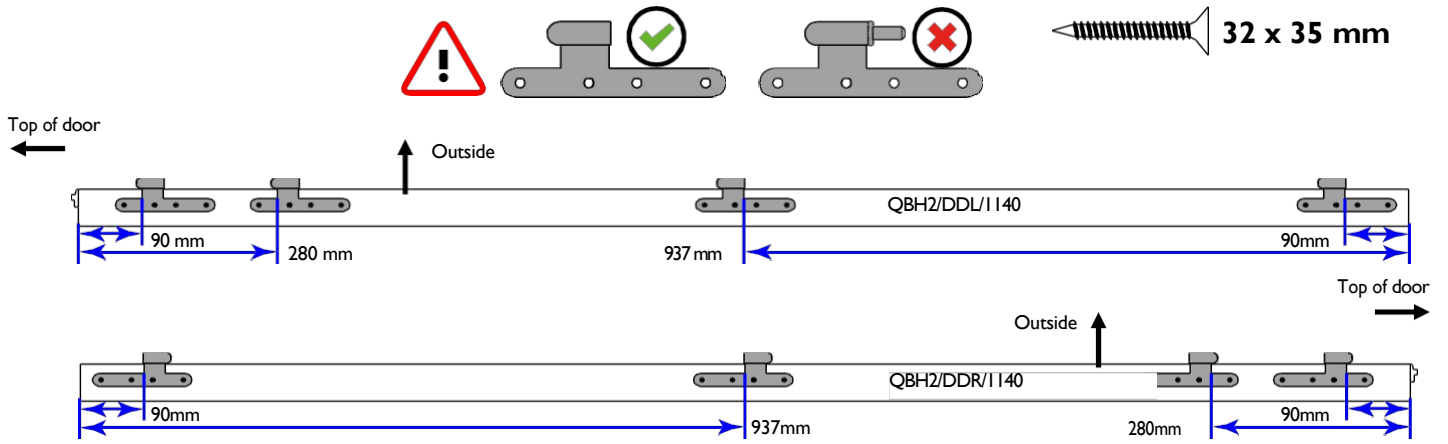
39.

Horizontal door frame



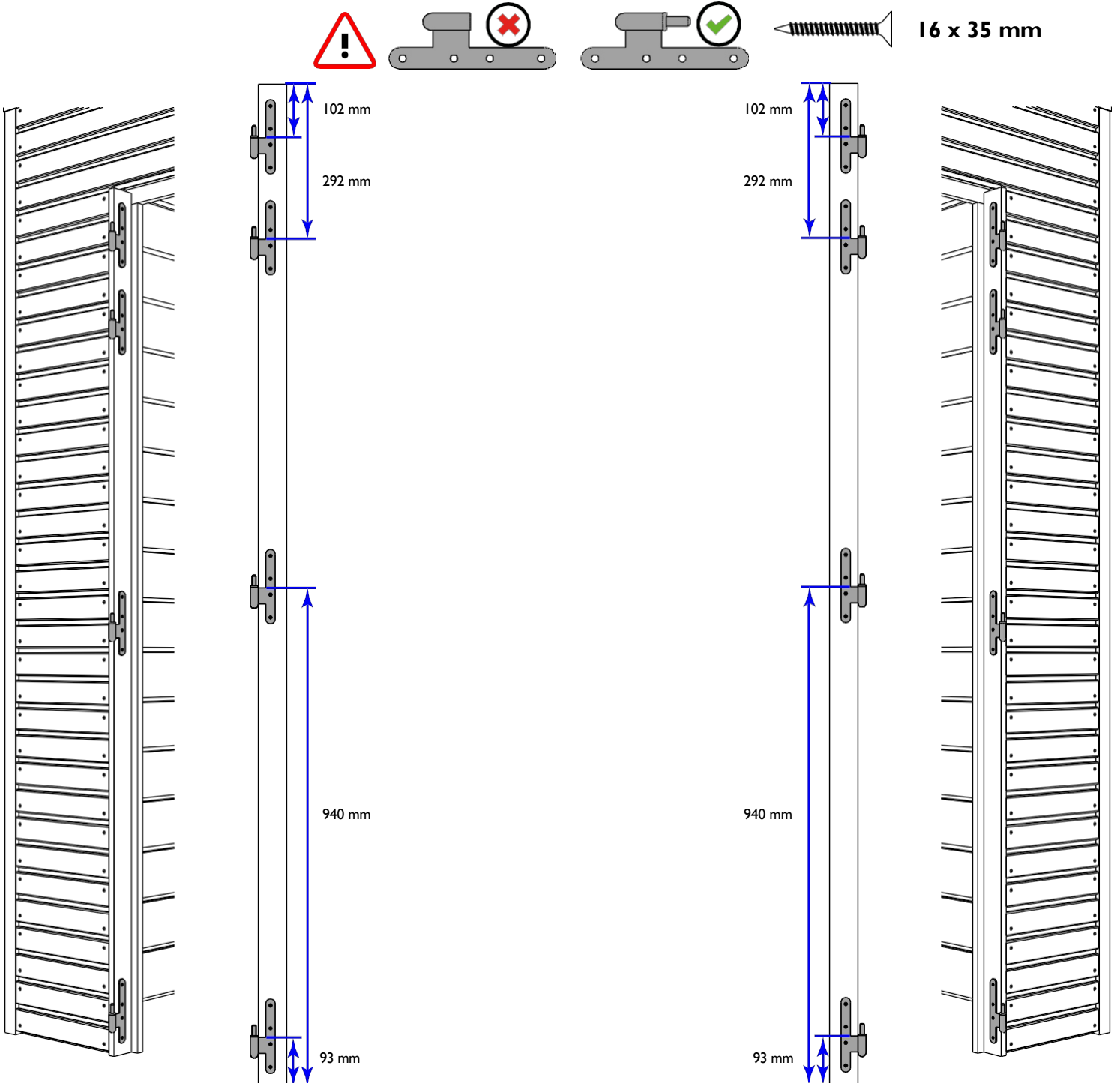
40a.

Installation of the hinges to the gate



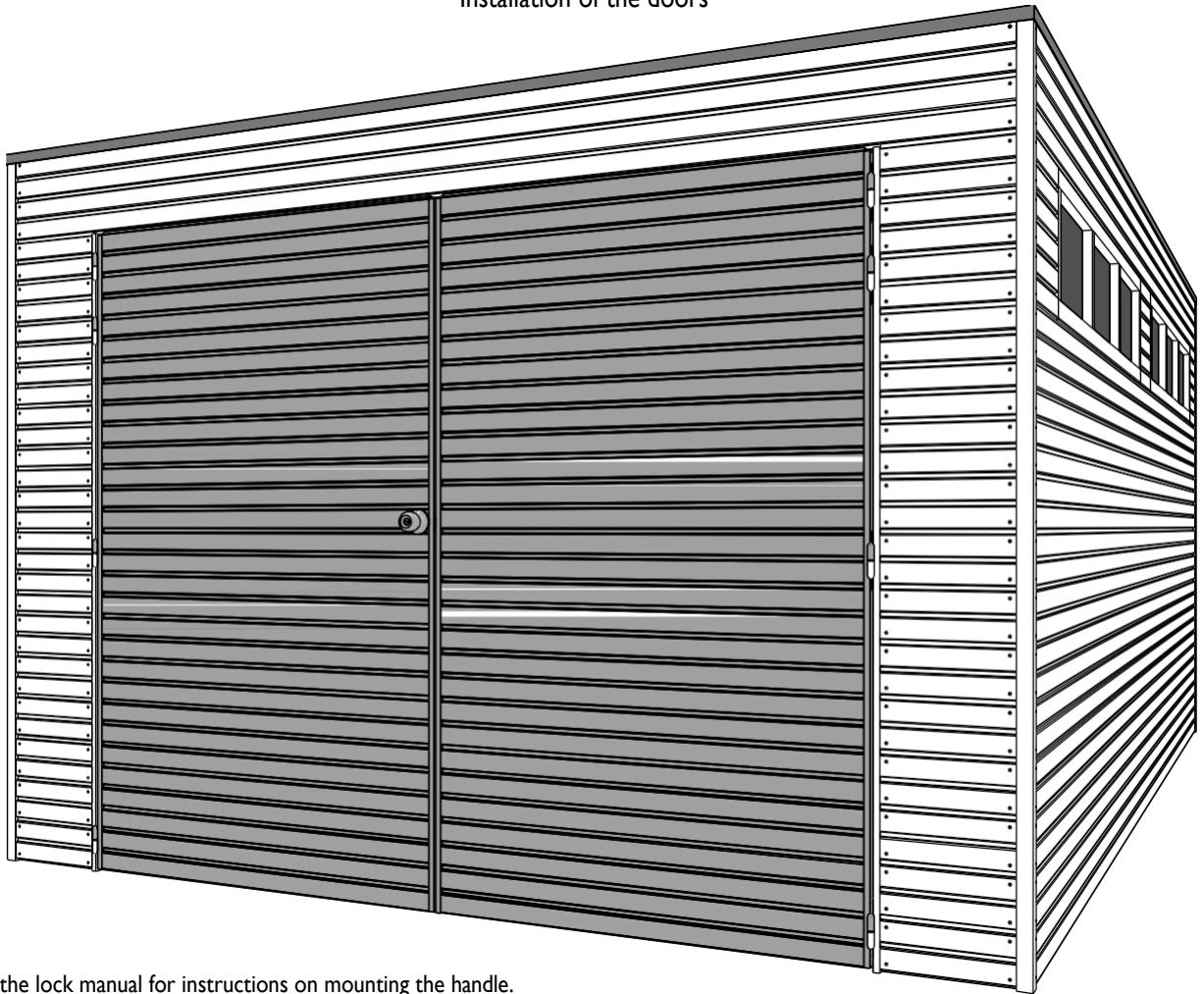
40b.

Installation of the hinges to the wall



41a.

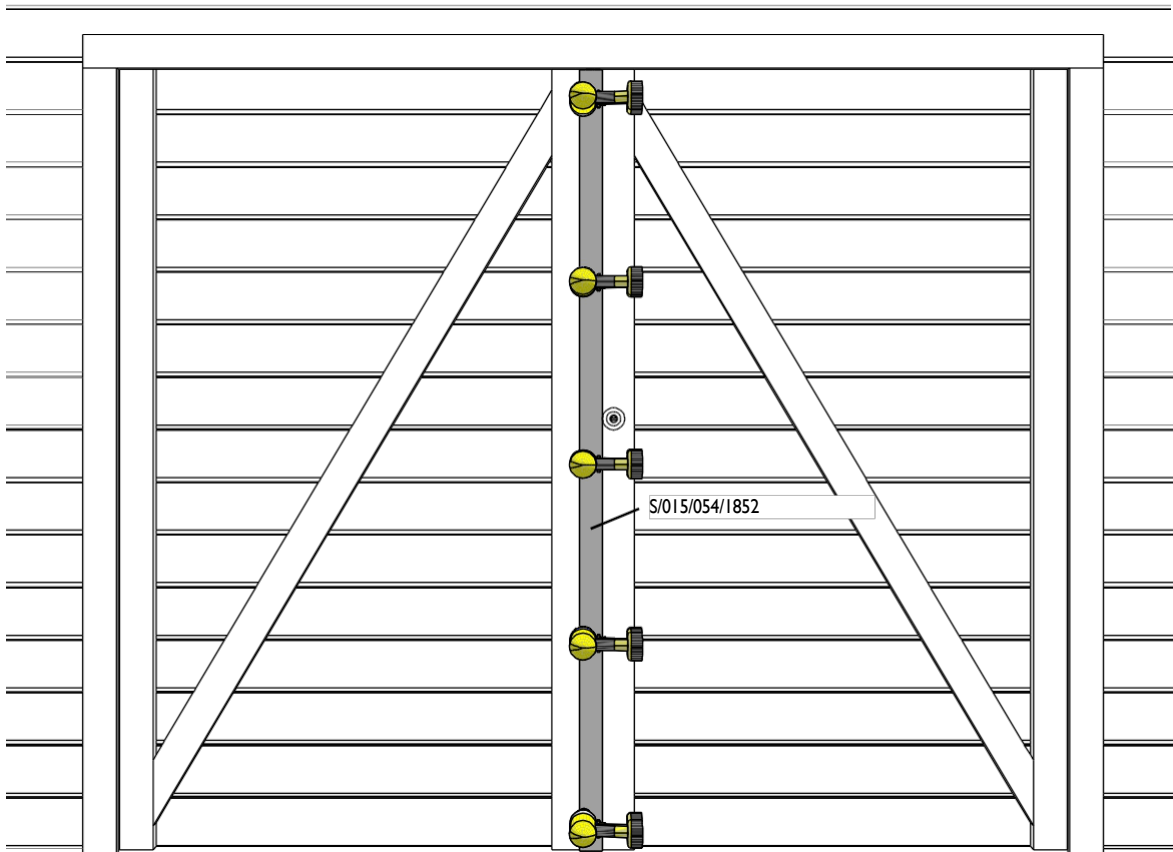
Installation of the doors



Please refer to the lock manual for instructions on mounting the handle.

41b.

Door latch installation



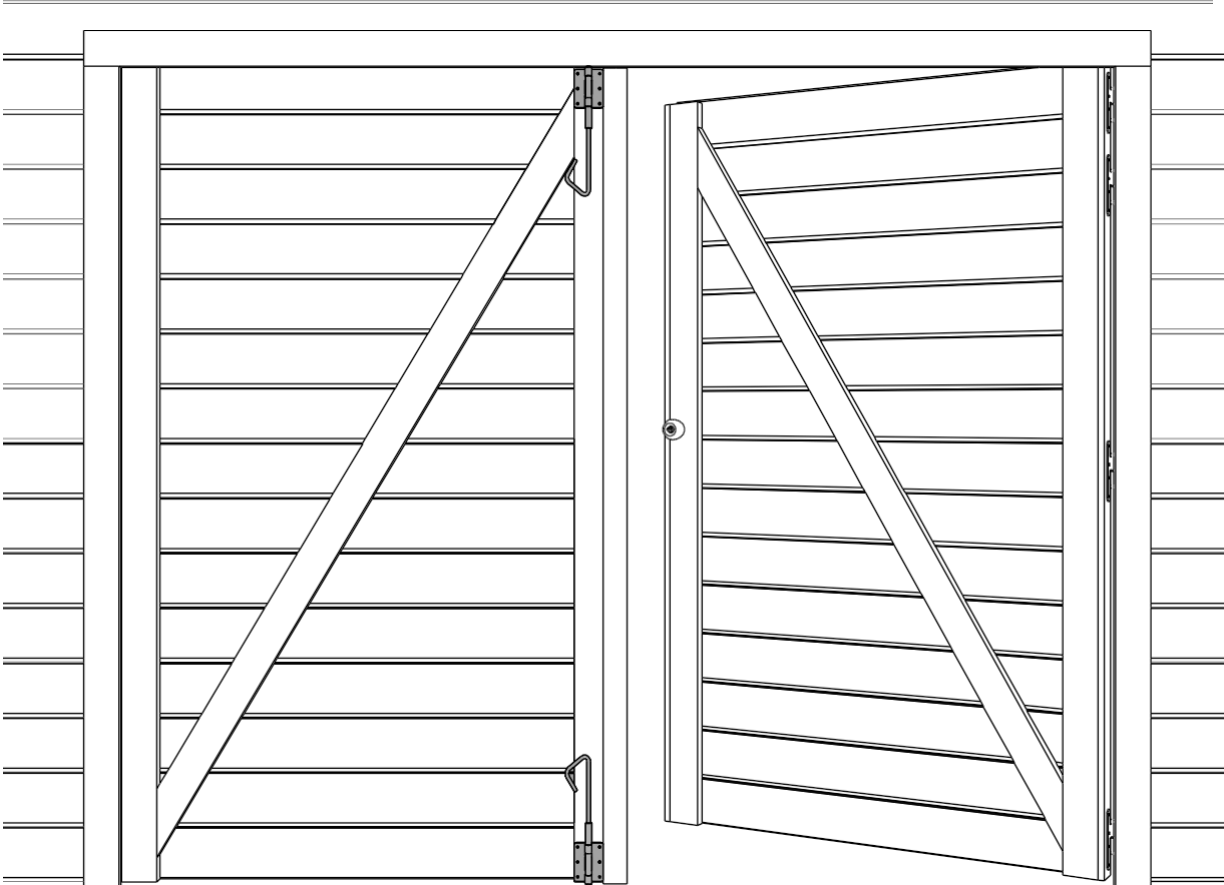
Inside



5x 35 mm

41a.

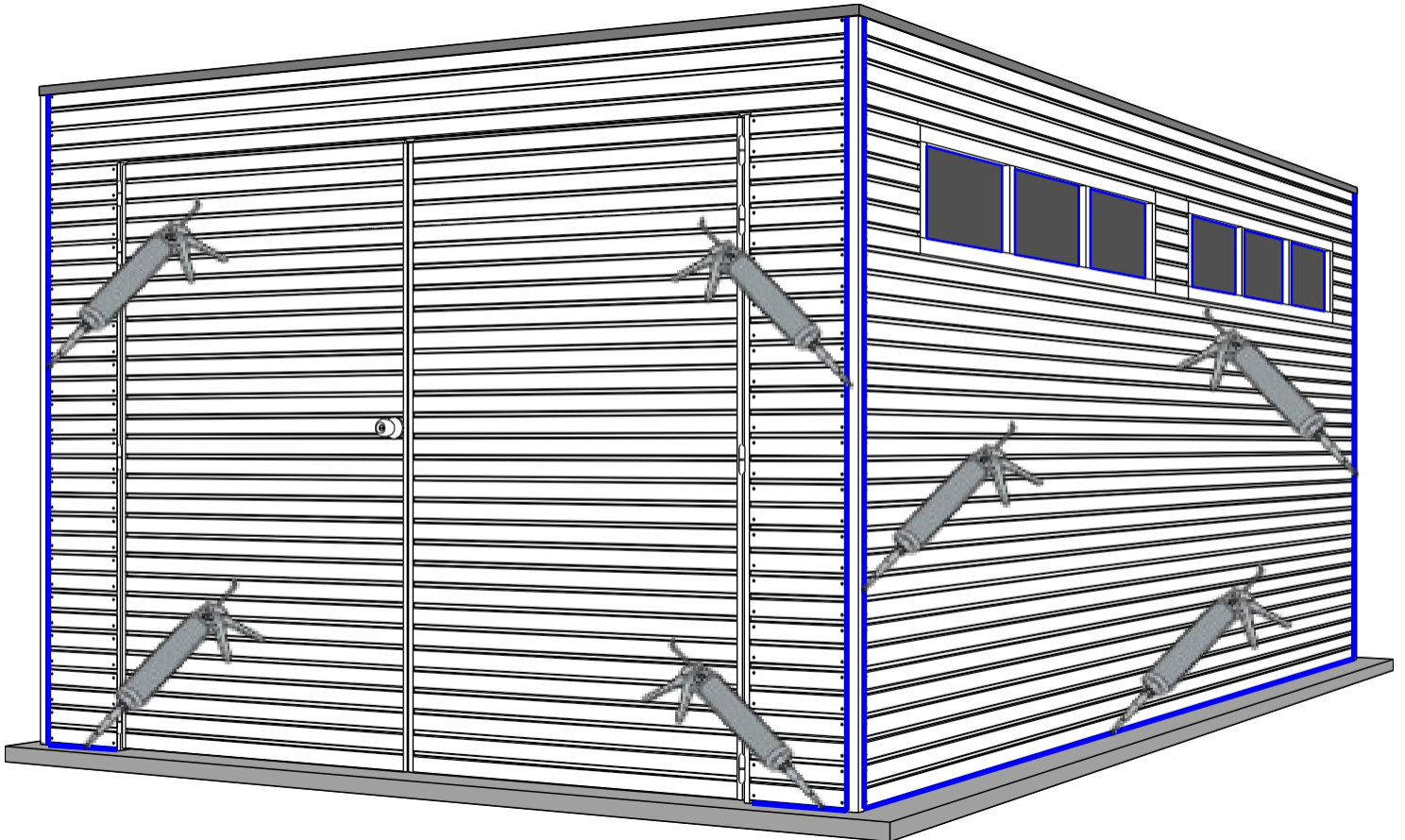
Place the bolts



42.

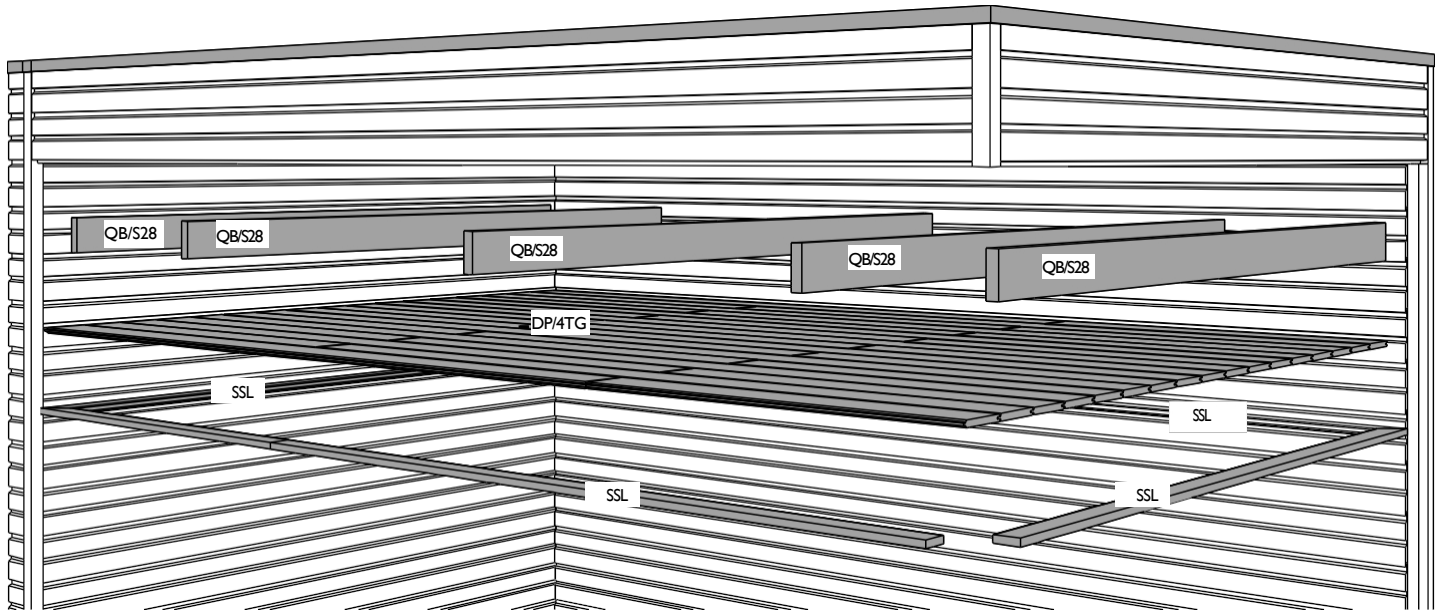
Seal the following areas with silicone (not supplied):

- The joint between the garage and its base on the outside,
- Around the glass,
- The vertical joint between the planks and the corner profiles.



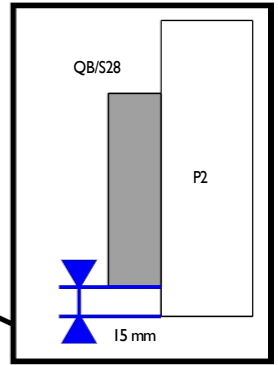
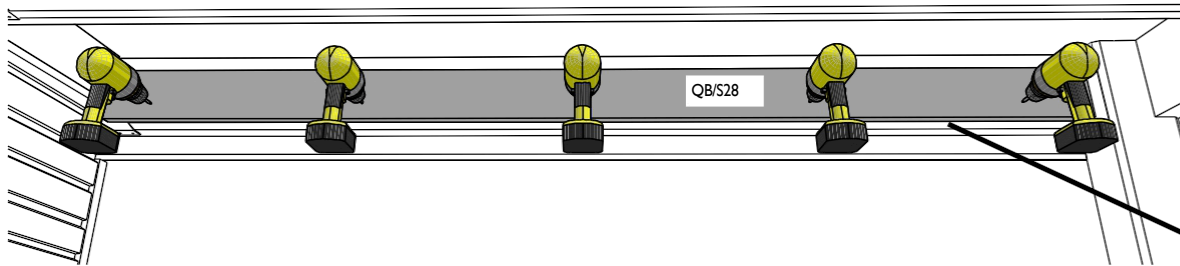
- Product liability applies only if the garage has been assembled in full compliance with these assembly instructions.
- The customer is responsible for ensuring adequate anchoring to the ground (protection against stormy weather).
- Check regularly to ensure that the **rainwater drainage remains clear and free.**

Ceiling option



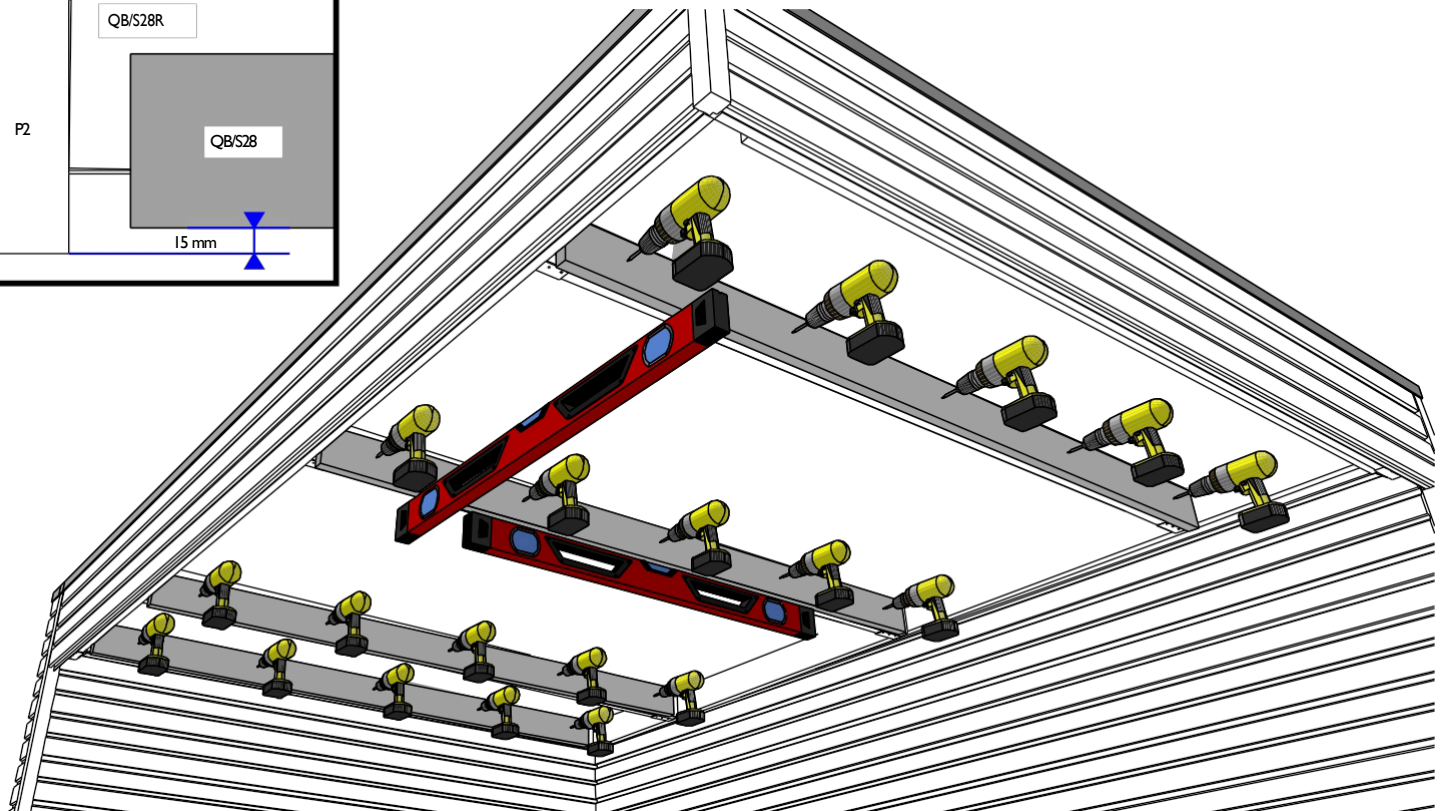
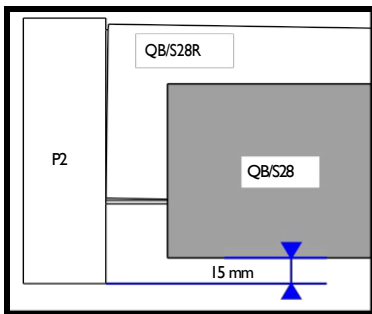
1.

 5 pcs/50 mm



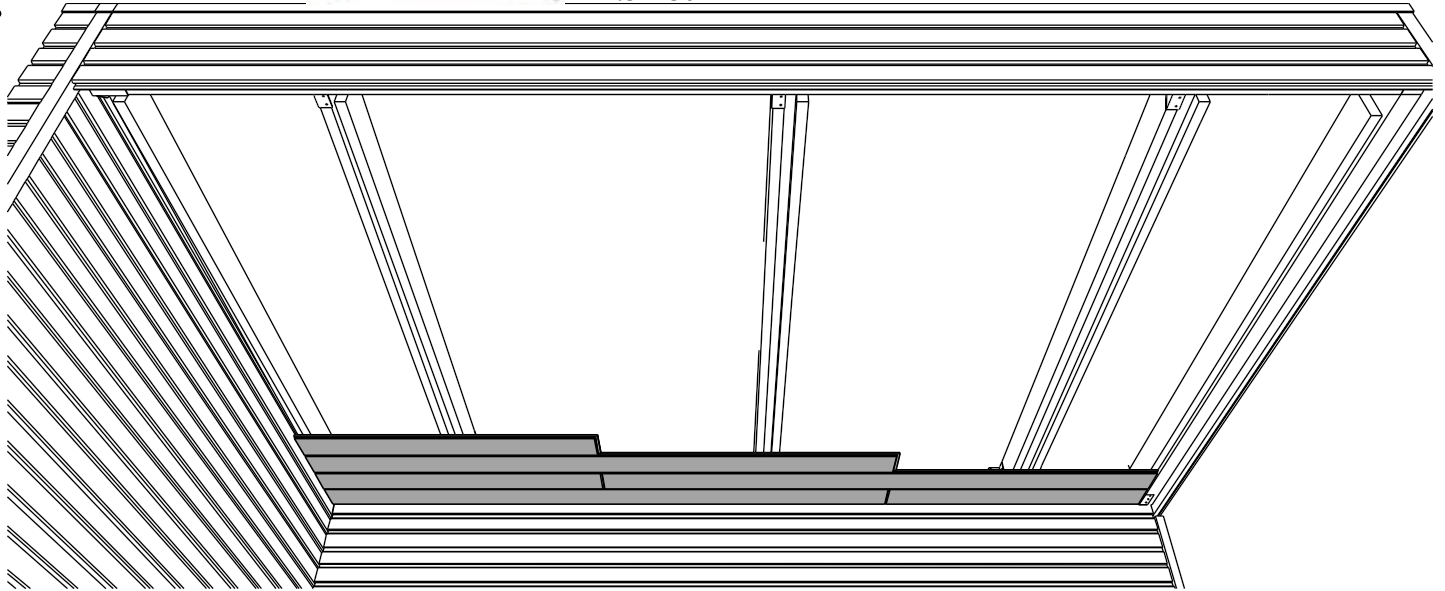
2.

 20 pcs/50 mm



3.

 2.5 x 50 mm

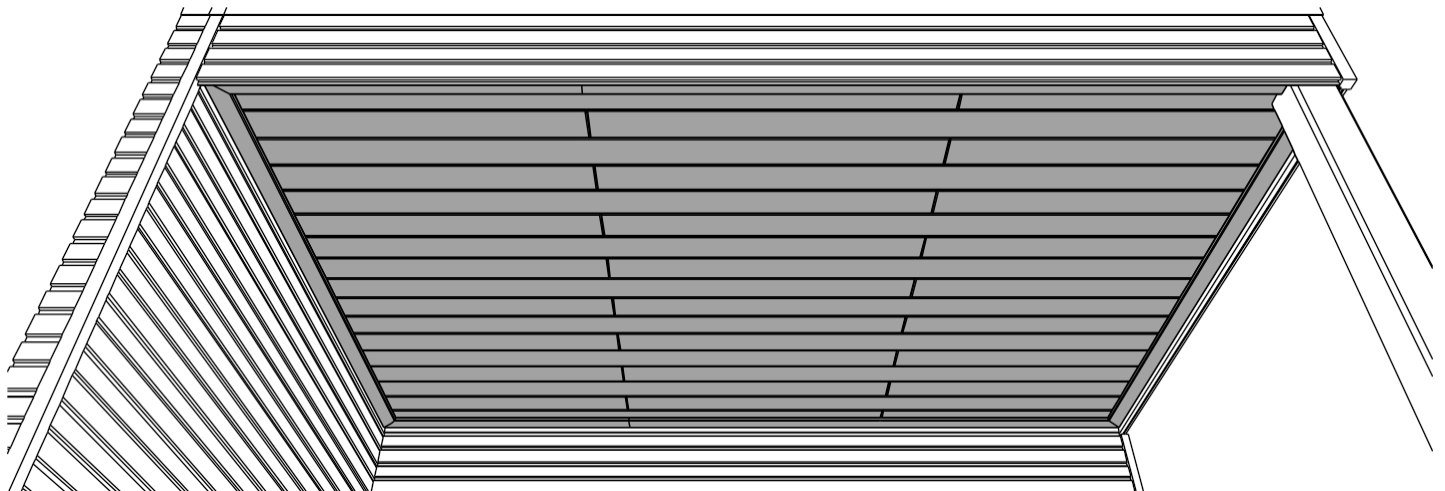


4.

 2.5 x 50 mm



5.



WARRANTY

The product is made of wood, a natural product that, due to its outdoor placement, will continue to "live" and therefore requires ongoing attention. Assembly, treatment and anchoring will be carried out by or on behalf of the customer. Gardenas is therefore responsible for and provides a warranty on the product and its components themselves, but not for the consequences of incorrect assembly, missing or inadequate anchoring, or incorrect or inadequate maintenance.

How long?

Unless otherwise stated, Gardenas offers a 5-year warranty on its products. Fittings and roofing are covered by a 2-year warranty. Products sold as pressure-impregnated are covered by an extended 10-year warranty against rot, mould and insect damage to the wooden parts.

The warranty period starts from the date of purchase.

What is covered by the warranty?

- The structural design of the product for safe and normal use.
- The correctness of the parts in terms of quantity and shape upon delivery. Any deviations must be reported no later than 14 days after delivery.
- The warranty is limited to the replacement of defective, damaged or unusable parts.

What is not covered by the warranty?

- Costs of (re)installation, production, assembly, treatment.
- Parts that are no longer in their original condition.
- Defective parts that were installed anyway.
- Minor deviations from the natural material, whether or not specified in the manual, which do not compromise the stability and expected lifespan of the product (e.g. knots, cracks, discolouration, slight deformations that can be assembled and will have no impact after assembly or will be invisible after assembly, etc.).
- Damage, deformations or defects resulting from ignoring to strictly follow the advice and instructions in the product manual and/or incorrect or careless use of the product, as well as damage caused by poor foundations.
- Damage and degradation and their consequences due to inadequate treatment of the product.
- Damage caused during transport and storage, whether or not due to extreme humidity, if transport and storage were not carried out under Gardenas' management.
- Damage caused by third parties, animals, insects (except if the product was delivered pressure-impregnated) and termites.
- Natural ageing or discolouration of the product.
- Damage caused by a roof load (e.g. snow) of more than 50 kg/m².
- Direct or indirect damage to items and materials stored in or under the product.
- Consequences of force majeure: storms, natural disasters, floods, vandalism, etc.

Parts availability and delivery

Gardenas guarantees the availability of all parts or a valid alternative for each part for up to 5 years after purchase of the product, regardless of whether the part is still under warranty or not.

Gardenas will make every effort to provide any replacement parts as quickly as reasonably possible. Gardenas will deliver the parts in the same manner and to the same location as it delivered the original product.

POINTS TO NOTE



ATTENTION! The planks must be glued to the corner profiles using the supplied wood glue. Gluing is mandatory to ensure the garage remains square. Assembly without glue will void the warranty. As long as the glue isn't dry, you can still make small adjustments; not afterwards!



So make sure you build the walls perfectly plumb from the start! Use the measuring tapes to mark the corner profiles and respect the correct spacing when installing the wall planks. If you do not do this, the planks will not be able to 'move' and the walls may warp due to fluctuations in ambient humidity. Furthermore, the openings for doors and windows will not fit and the overall height will be incorrect.

